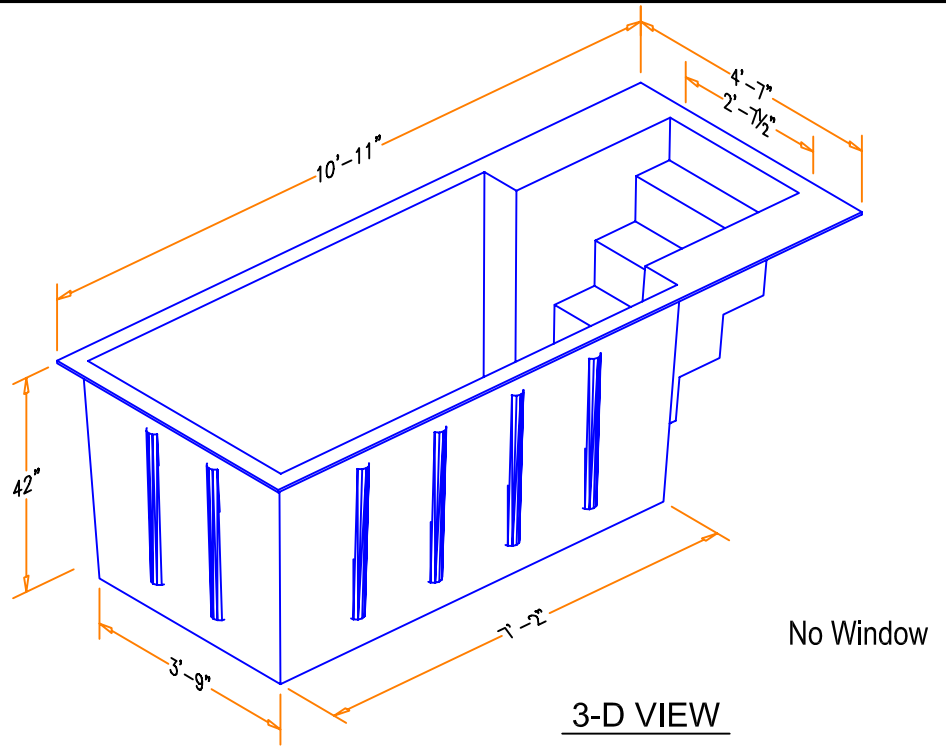
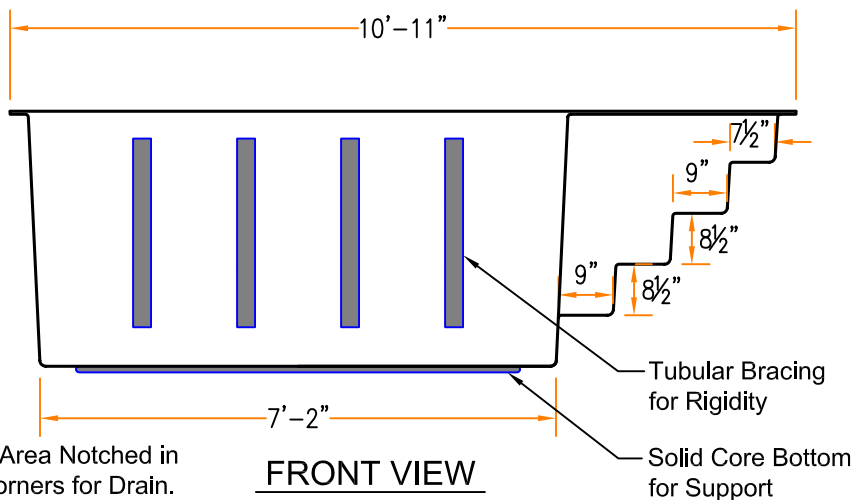
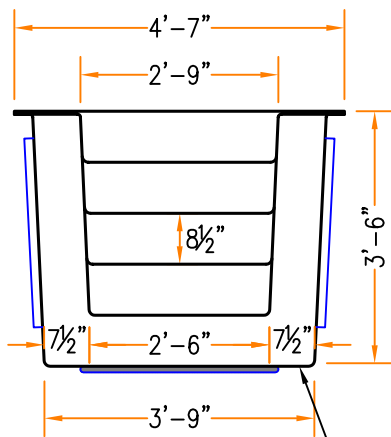


**Baptistry Info.**

Width: 4'-7"  
 Length: 10'-11"  
 Depth: 42"  
 Water Capacity: 670 gal.  
 Unit Weight: 310 lb. Dry  
 Recommended Heater:  
 PBH 10 kw / 750 EZ fill  
 Available In Blue, White or Bone



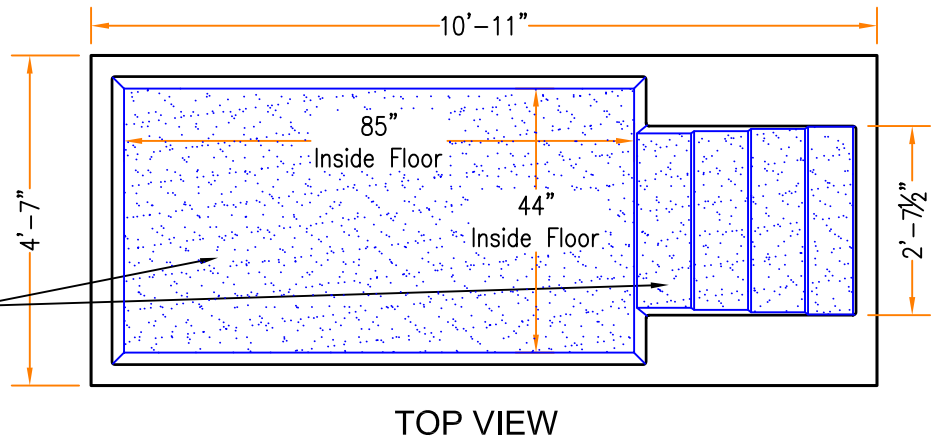
**Note:**  
 All interior corners are rounded for safety.



Coring Area Notched in Four Corners for Drain. Drain Hole Drilled by Plumber.

Drains can be Located in Either of the Four Corners

Textured surface on steps and bottom for slip resistance



Drawings are property of Fiberglass Unlimited, Inc.; Dimensions may change slightly to accommodate manufacturing.

**BAPTISTRIES**  
 Model 12-B

**FIBERGLASS UNLIMITED, INC.**

Phone: 1-800-837-6211 Fax: 334-863-7975 Email: info@FiberG.com

183 Industrial Ave.  
 Roanoke, Alabama 36274