

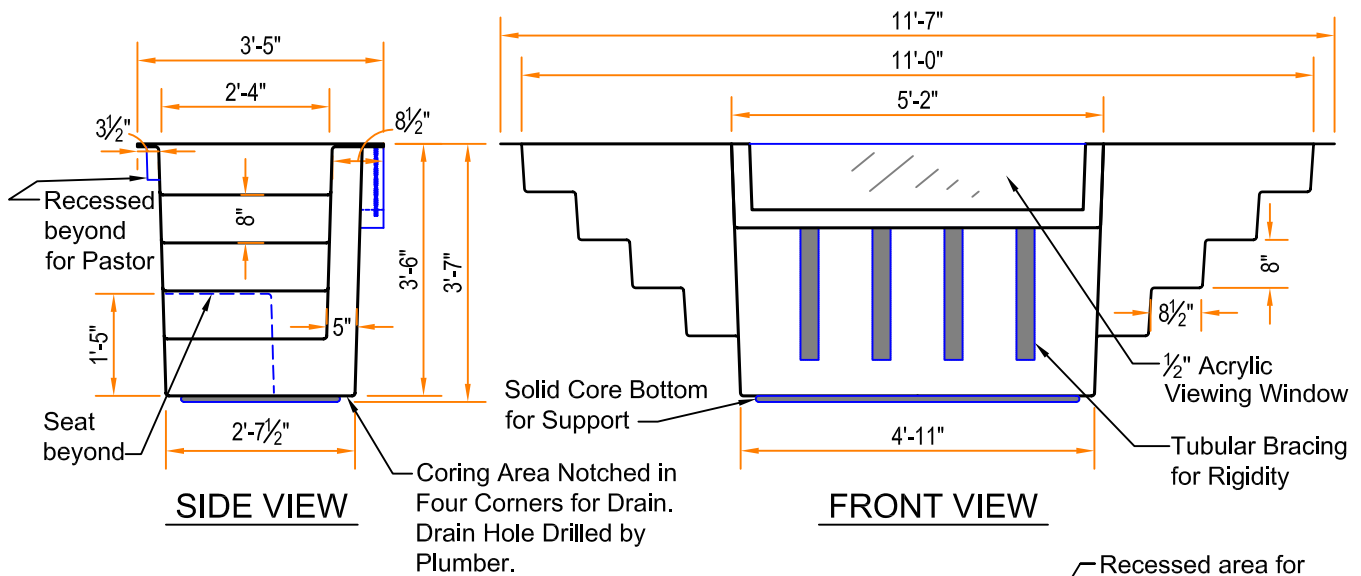
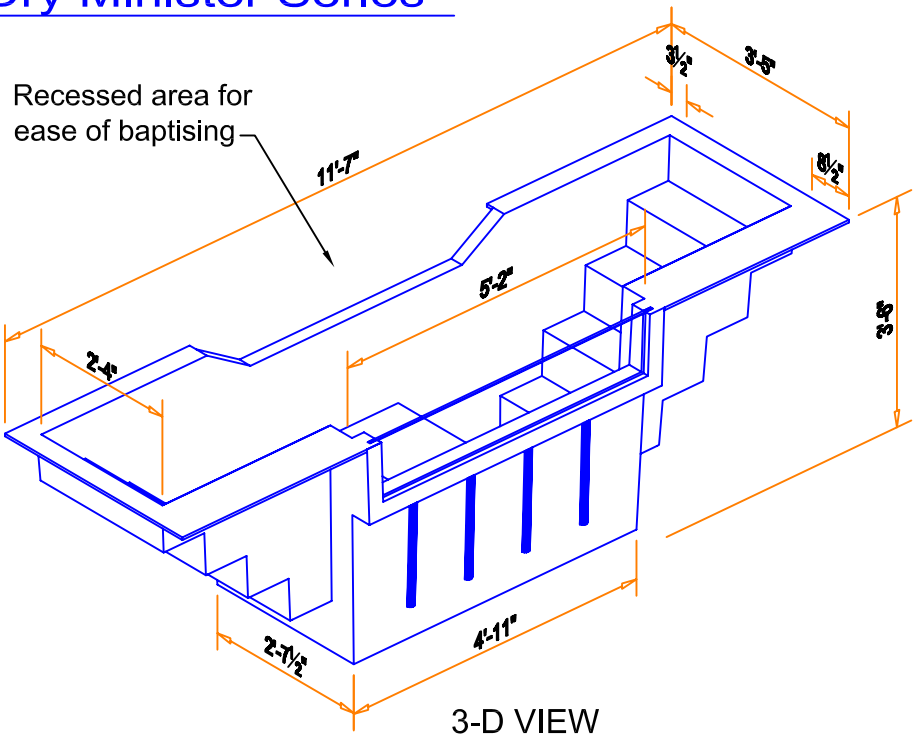
Dry Minister Series

Baptistry Info.

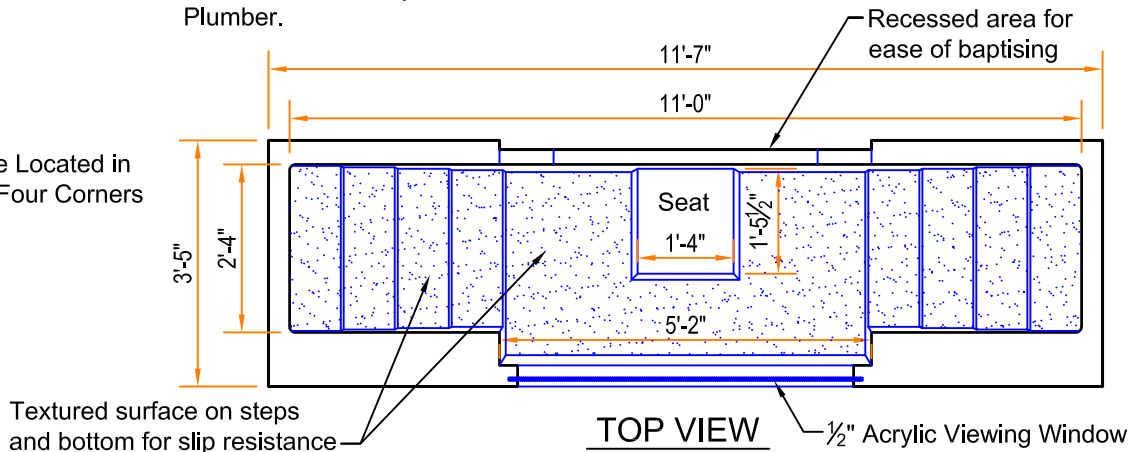
Width: 3'-5"
 Length: 11'-7"
 Depth: 3'-6"
 Water Capacity: 425 gal.
 Unit Weight: 300 lb. Dry
 Recommended Heater:
 PEB-B 5.5 kw / Af 2900 / AD 2900
 Available In Blue, White or Bone

Note:

All interior corners are rounded for safety.



Drains can be Located in Either of the Four Corners



Drawings are property of Fiberglass Unlimited, Inc.; Dimensions may change slightly to accommodate manufacturing.

BAPTISTRIES
Model 8-A

FIBERGLASS UNLIMITED, INC.

Phone: 1-800-837-6211 Fax: 334-863-7975 Email: info@FiberG.com

183 Industrial Ave.
Roanoke, Alabama 36274