

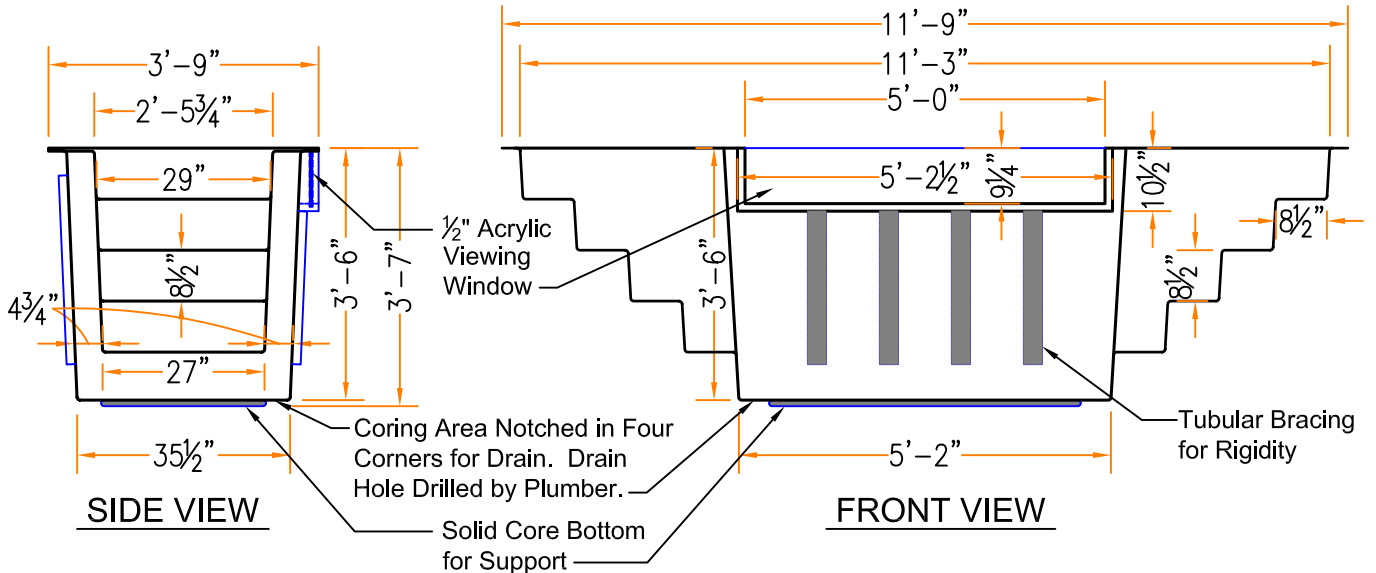
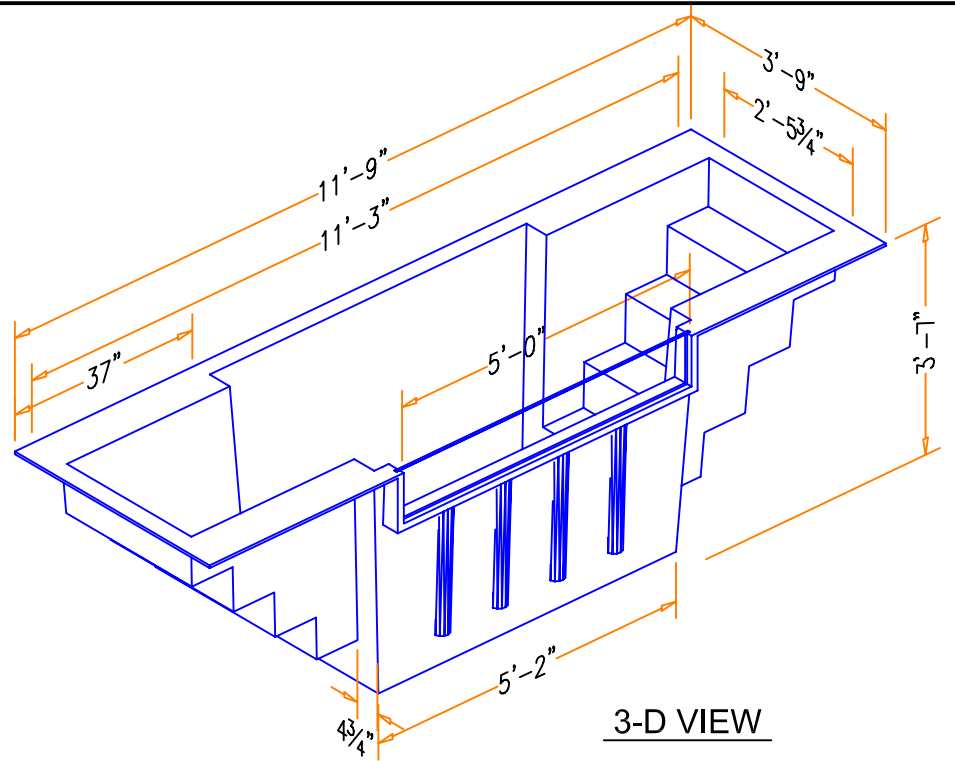
**Baptistry Info.**

Width: 3'-9"  
 Length: 11'-9"  
 Depth: 3'-6" Inside  
 Water Capacity: 450 gal.  
 Unit Weight: 290 lb. Dry  
 Recommended Heater:  
 PBH 5.5 kw / EZ 750 Fill  
 Available In Blue, White or Bone

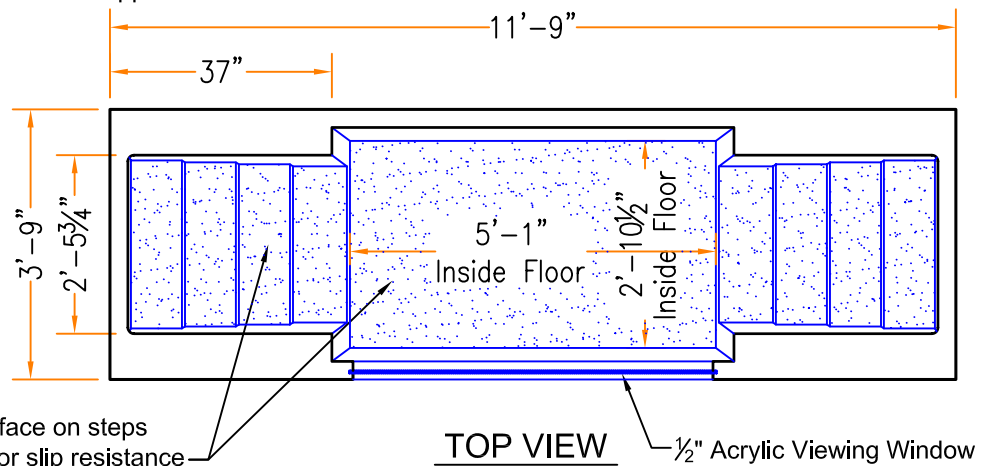
\*\*\*Window is Optional\*\*\*

**Note:**

All interior corners are rounded for safety.



Drains can be Located in Either of the Four Corners



Drawings are property of Fiberglass Unlimited, Inc.; Dimensions may change slightly to accommodate manufacturing.

**BAPTISTRIES**  
 Model 9-A

**FIBERGLASS UNLIMITED, INC.**

Phone: 1-800-837-6211 Fax: 334-863-7975 Email: info@FiberG.com

183 Industrial Ave.  
 Roanoke, Alabama 36274