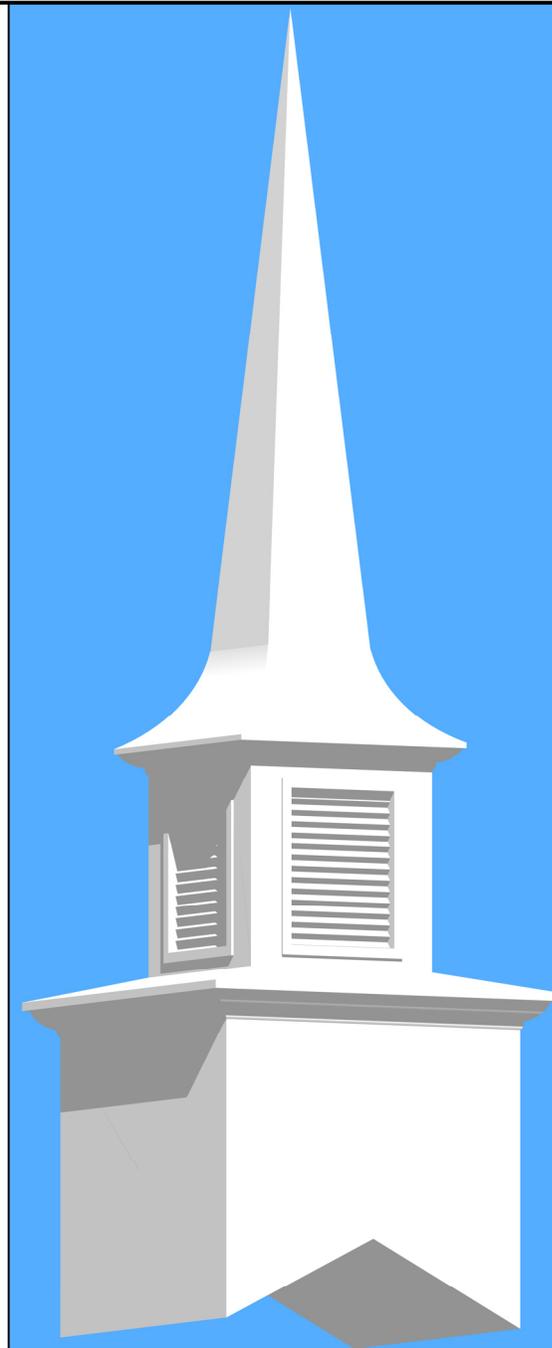


### Steeple Data

Base Width: 5'-0"  
 Steeple Height: 19'-9"  
 Weight: 550 lb.  
 One Piece Steeple unit

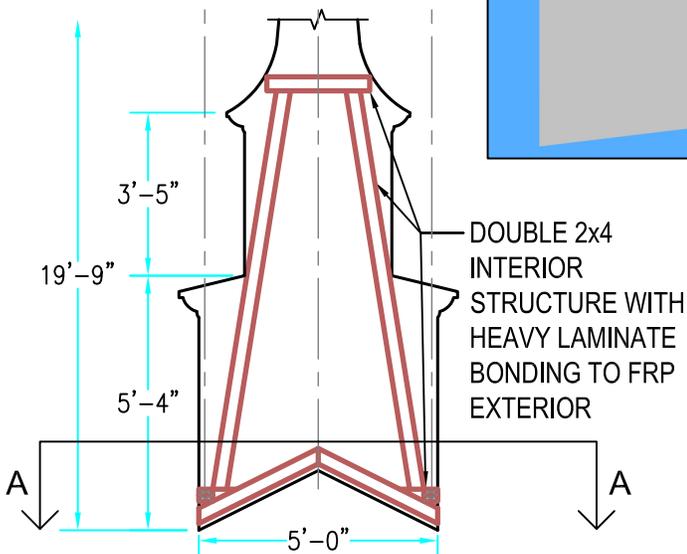
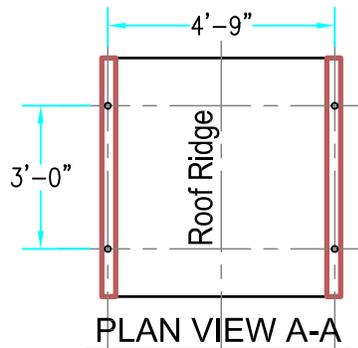
### Available Options:

- 3' or 4' Aluminum Cross
- 8" Ball
- Round Top Simulated Louver
- Krinkle-glass Windows
- Lightning Protection
- Round open with screen Louvers in Base



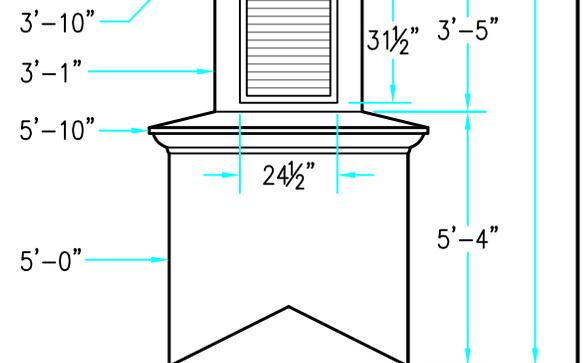
ALL STEEPLES MUST BE MOUNTED ON A COMPLETED WATERPROOF ROOF SYSTEM AS LONG-TERM INSURANCE AGAINST LEAKAGE .

Note: Steeple Tip will be reduced by approx. 14" when Adding Optional Cross



Scale: 1/4" = 1'-0"

### 3-D VIEW



Scale: 1/4" = 1'-0"

Drawings are property of Fiberglass Unlimited, Inc.; Dimensions may change slightly to accommodate manufacturing.

**STEEPLES**  
**Model # 220**

**FIBERGLASS UNLIMITED, INC.**

Phone: 1-800-837-6211 Fax: 334-863-7975 Email: info@FiberG.com

183 Industrial Ave.  
 Roanoke, Alabama 36274