

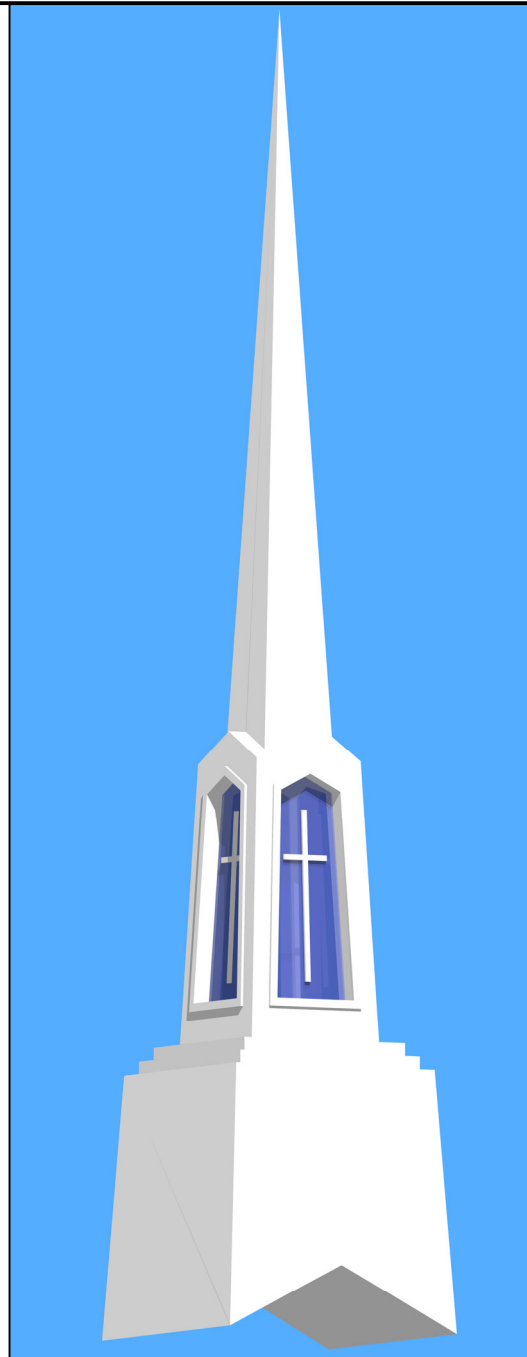
### Steeple Data

Base Width: 5'-0"  
 Steeple Height: 26'-0"  
 Weight: 650 lb.

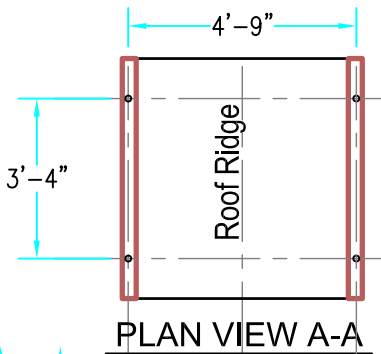
### Available Options:

- 3' or 4' Aluminum Cross
- 8" Ball
- Simulated Louvers
- Krinkle-glass Windows w/ Applied Cross
- Lightning Protection
- Round Louvers In Base

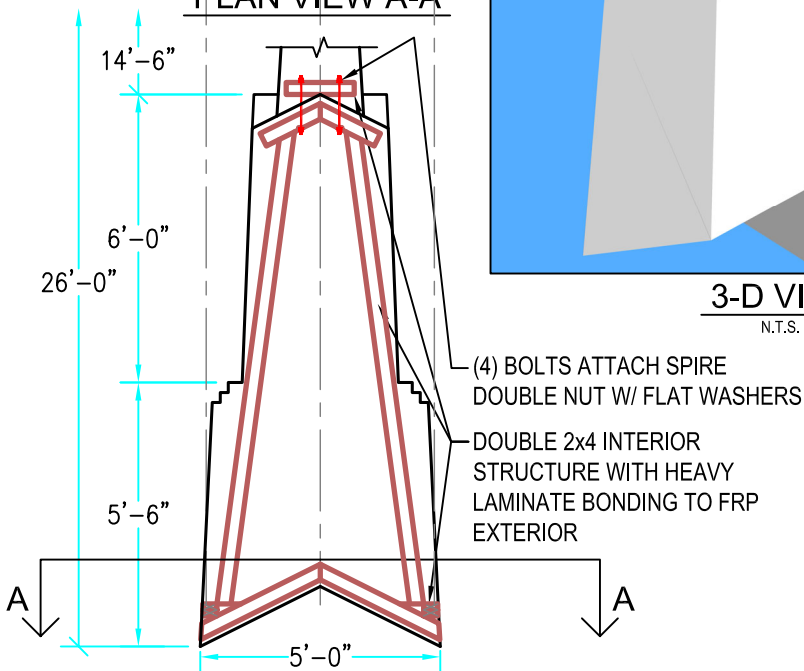
ALL STEEPLES MUST BE MOUNTED ON A COMPLETED WATERPROOF ROOF SYSTEM AS LONG-TERM INSURANCE AGAINST LEAKAGE .



3-D VIEW  
N.T.S.

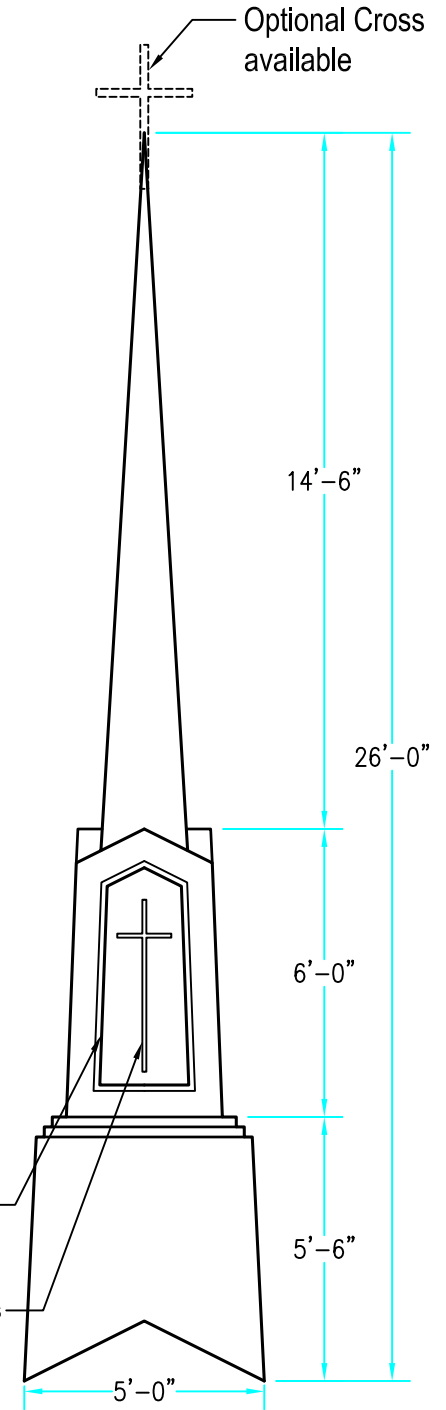


PLAN VIEW A-A



INTERIOR SUPPORT DETAIL

Scale: 1/4" = 1'-0"



ELEVATION

Scale: 1/4" = 1'-0"

Drawings are property of Fiberglass Unlimited, Inc.; Dimensions may change slightly to accommodate manufacturing.

**STEEPLES**  
**Model # 255**

**FIBERGLASS UNLIMITED, INC.**

Phone: 1-800-837-6211 Fax: 334-863-7975 Email: info@FiberG.com

183 Industrial Ave.  
 Roanoke, Alabama 36274