

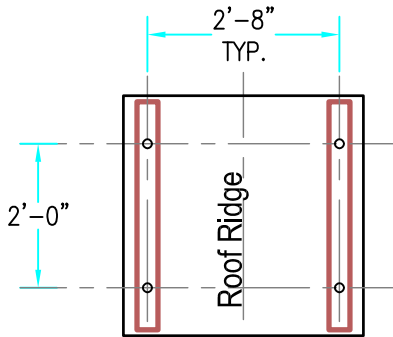
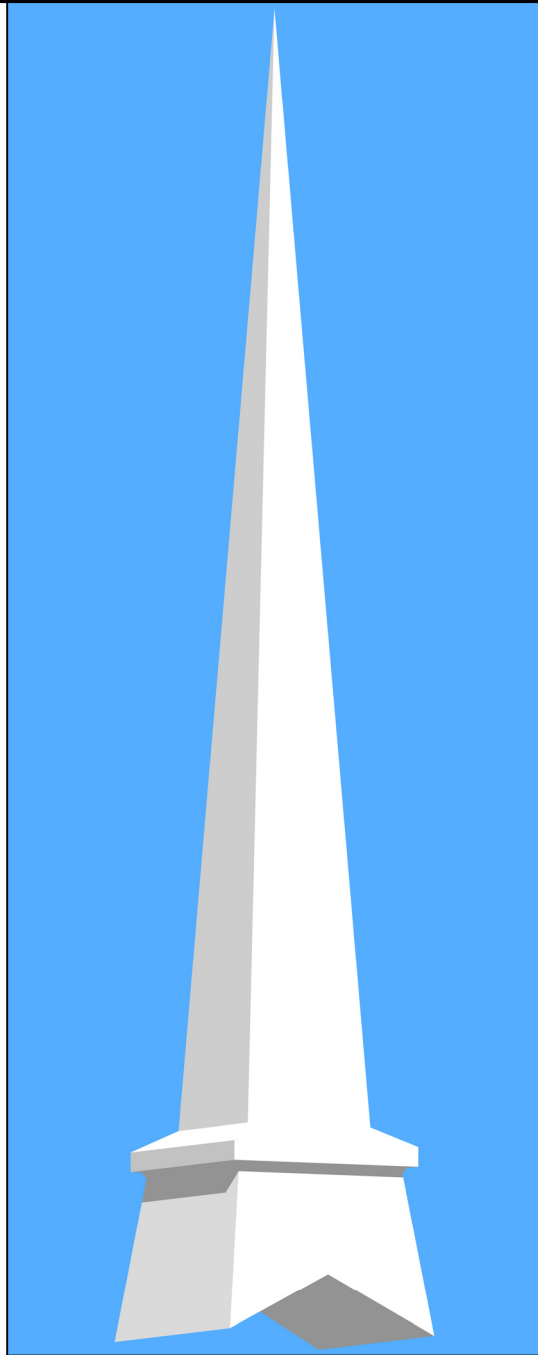
Steeple Data

Base Width: 3'-4"
 Steeple Height: 19'-0"
 Weight: 200 lb.
 One Piece Steeple unit

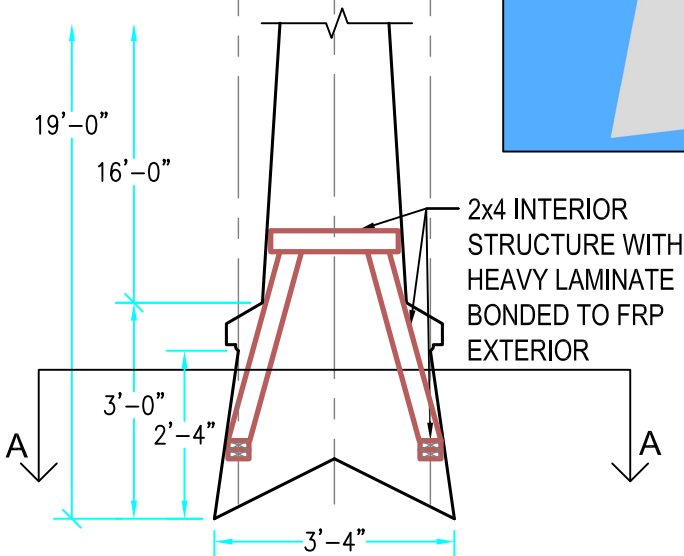
Available Options:

- 3' or 4' Aluminum Cross
- 8" Ball
- Lightning Protection
- Krinkle-glass Cross cut in to Base of Spire

ALL STEEPLES MUST BE MOUNTED ON A COMPLETED WATERPROOF ROOF SYSTEM AS LONG-TERM INSURANCE AGAINST LEAKAGE .



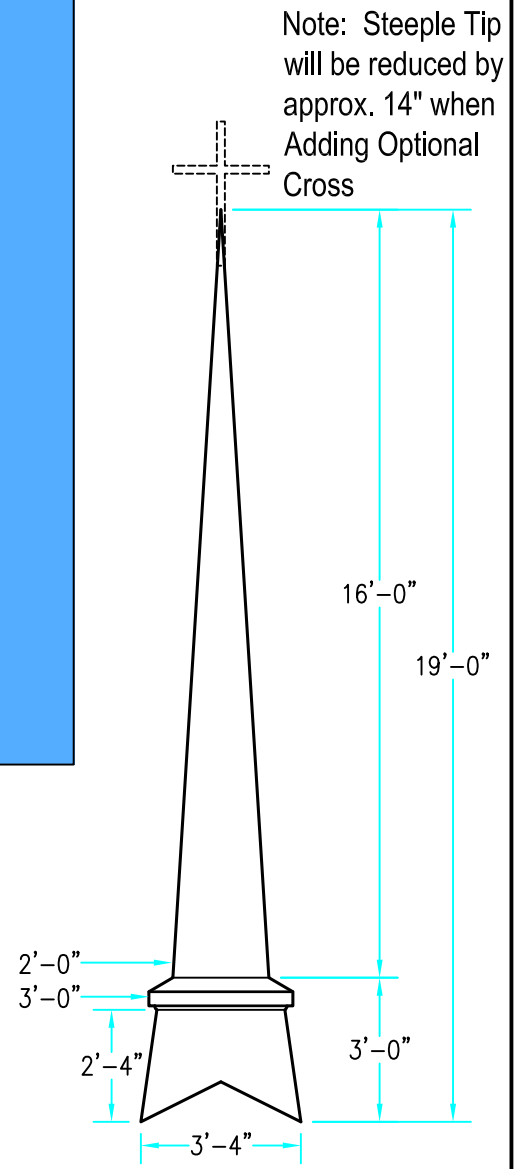
PLAN VIEW A-A



INTERIOR SUPPORT DETAIL

Scale: 3/8" = 1'-0"

3-D VIEW



ELEVATION

Scale: 1/4" = 1'-0"

Drawings are property of Fiberglass Unlimited, Inc.; Dimensions may change slightly to accommodate manufacturing.

STEEPLES
Model # 260

FIBERGLASS UNLIMITED, INC.

Phone: 1-800-837-6211 Fax: 334-863-7975 Email: info@FiberG.com

183 Industrial Ave.
 Roanoke, Alabama 36274