

Steeple Data

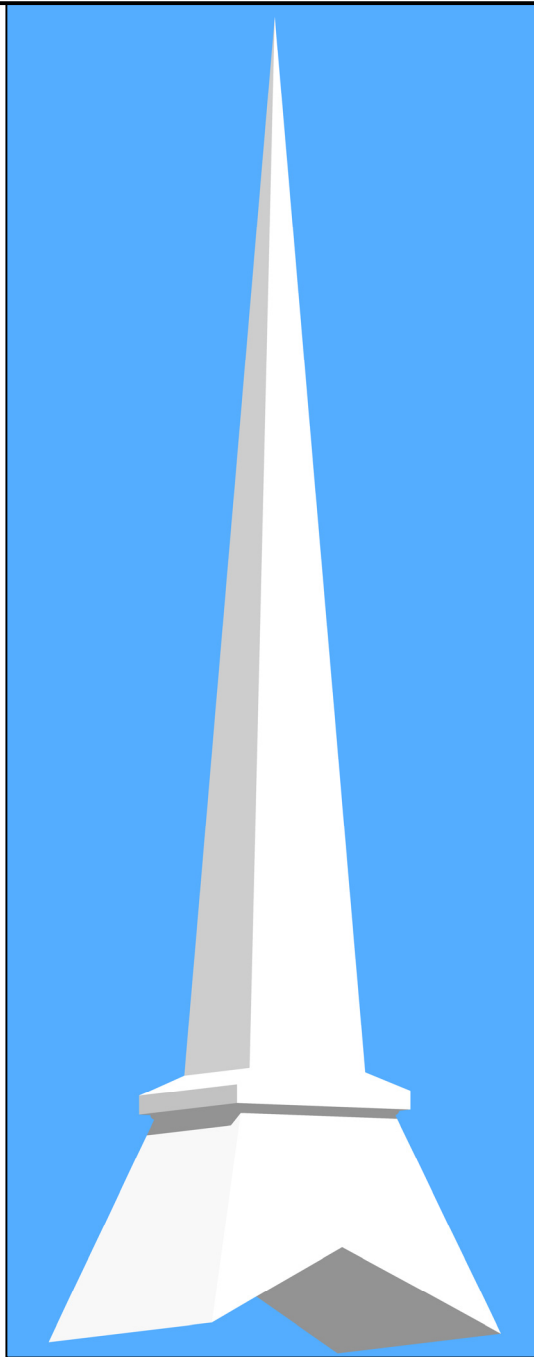
Base Width: 5'-0"
 Steeple Height: 20'-0"
 Weight: 300 lb.
 One Piece Steeple unit

Available Options:

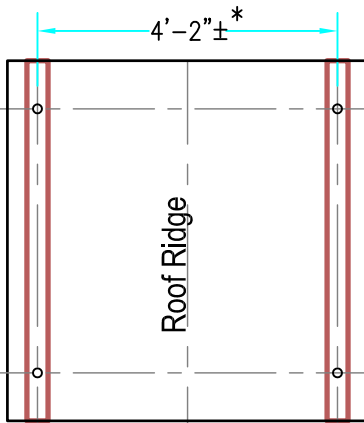
- 3' or 4' Aluminum Cross
- 8" Ball
- Lightning Protection
- Krinkle-glass Cross cut in to Base of Spire

ALL STEEPLES MUST BE MOUNTED ON A COMPLETED WATERPROOF ROOF SYSTEM AS LONG-TERM INSURANCE AGAINST LEAKAGE .

Note: Steeple Tip will be reduced by approx. 14" when Adding Optional Cross

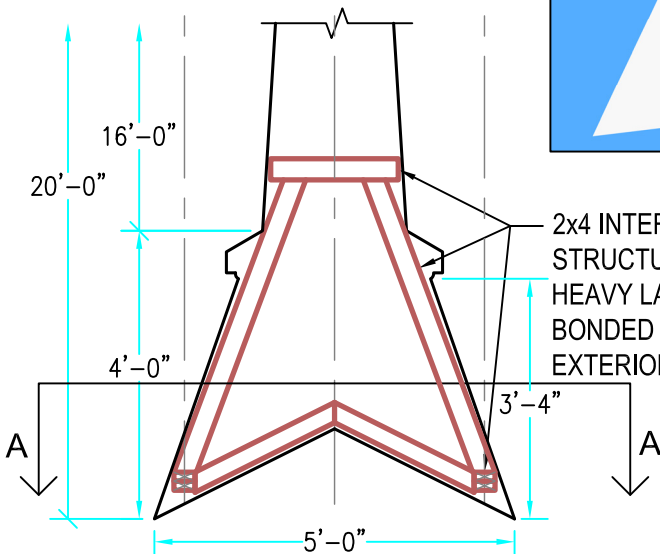


3-D VIEW



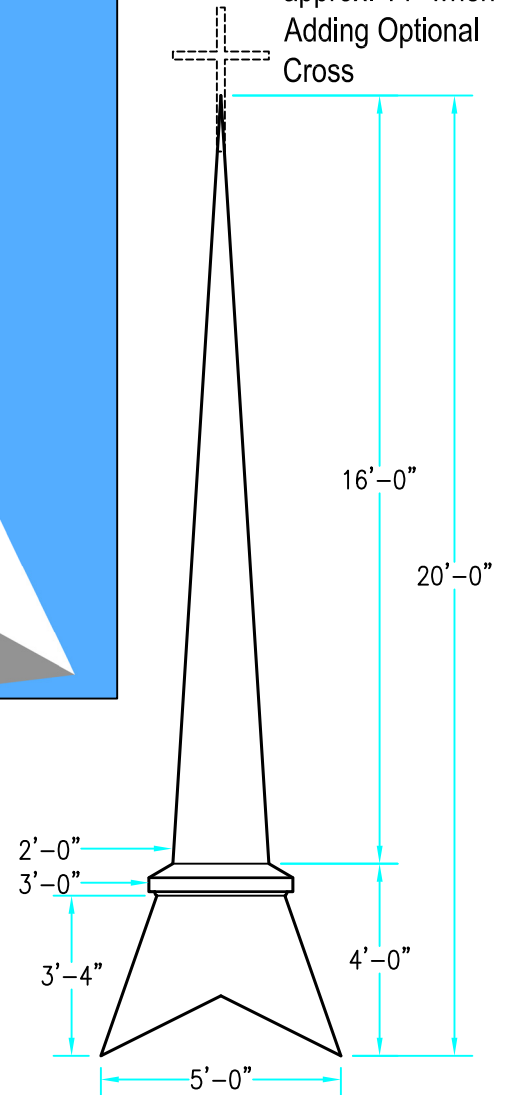
PLAN VIEW A-A

* NOTE: Varies according to roof pitch



INTERIOR SUPPORT DETAIL

Scale: 3/8" = 1'-0"



ELEVATION

Scale: 1/4" = 1'-0"

Drawings are property of Fiberglass Unlimited, Inc.; Dimensions may change slightly to accommodate manufacturing.

STEEPLES
Model # 280

FIBERGLASS UNLIMITED, INC.

Phone: 1-800-837-6211 Fax: 334-863-7975 Email: info@FiberG.com

183 Industrial Ave.
 Roanoke, Alabama 36274