

### Steeple Data

Base Width: 6'-0"  
 Steeple Height: 31'-0"  
 Weight: 1100 lb.  
 Three-piece Steeple unit

#### Available Options:

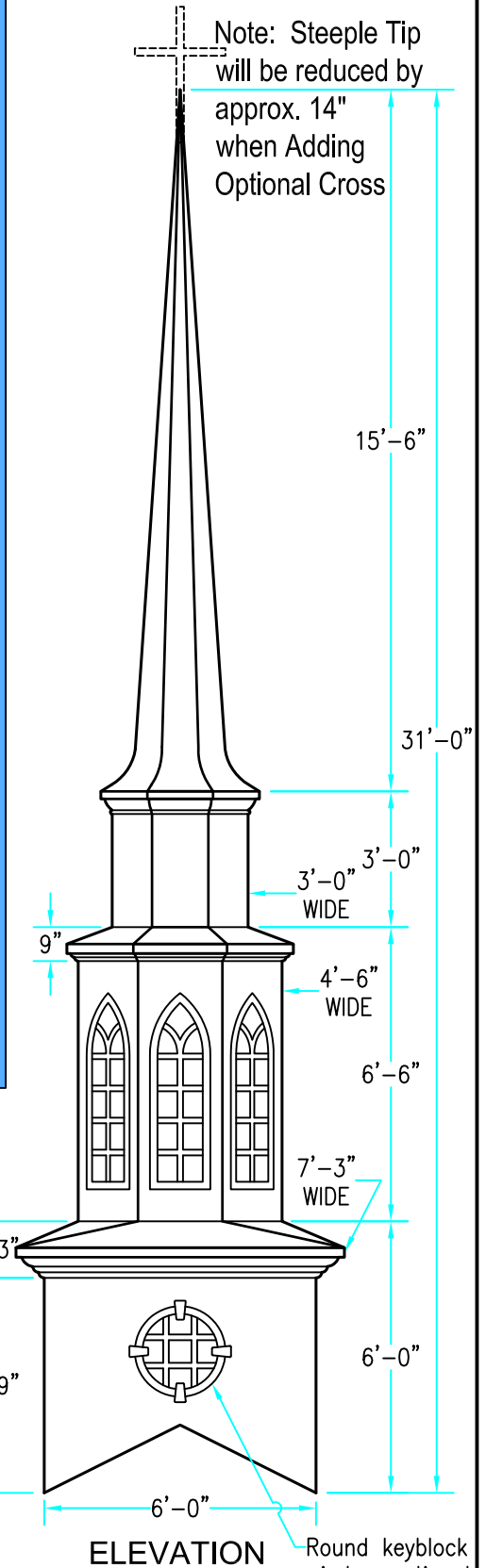
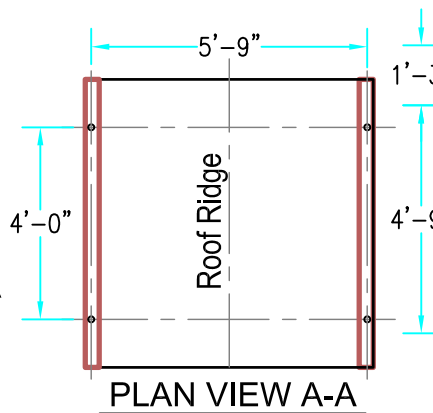
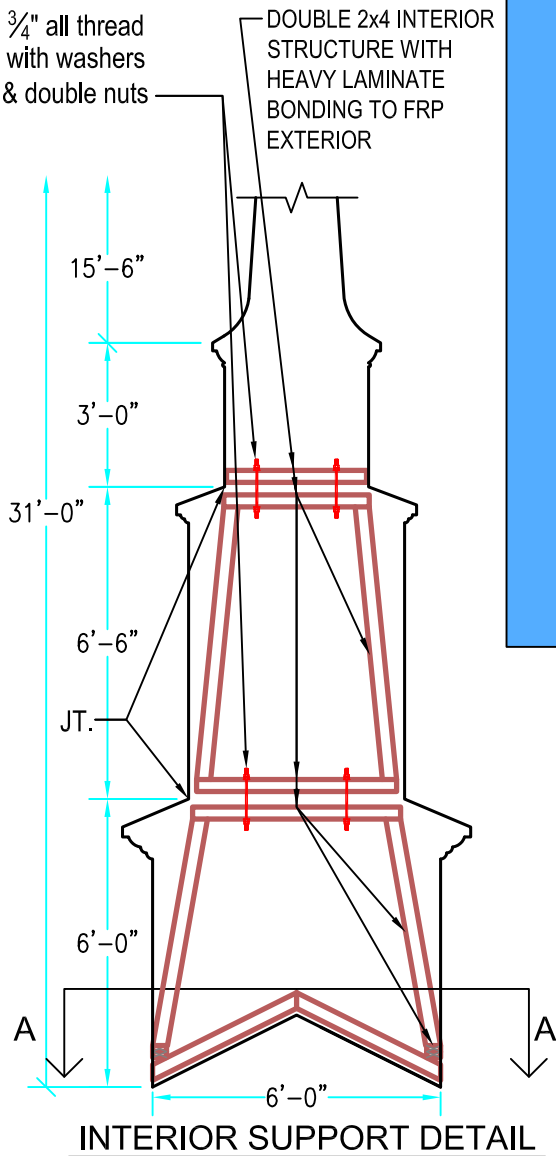
- 3' or 4' Aluminum Cross
- Lightning Protection
- Simulated Louvers
- Krinklglas Windows
- Round Keyblock Windows
- Round venting louvers in base

ALL STEEPLES MUST BE MOUNTED ON A COMPLETED WATERPROOF ROOF SYSTEM AS LONG-TERM INSURANCE AGAINST LEAKAGE .



3-D VIEW

Note: Steeple Tip will be reduced by approx. 14" when Adding Optional Cross



Drawings are property of Fiberglass Unlimited, Inc.; Dimensions may change slightly to accommodate manufacturing.

**STEEPLES**  
**Model # 420-G**

**FIBERGLASS UNLIMITED, INC.**  
 Phone: 1-800-837-6211 Fax: 334-863-7975 Email: info@FiberG.com

183 Industrial Ave.  
 Roanoke, Alabama 36274