

### Steeple Data

Base Width: 6'-0"  
 Steeple Height: 33'-8"  
 Weight: 1225 lb.  
 Three-piece Steeple unit

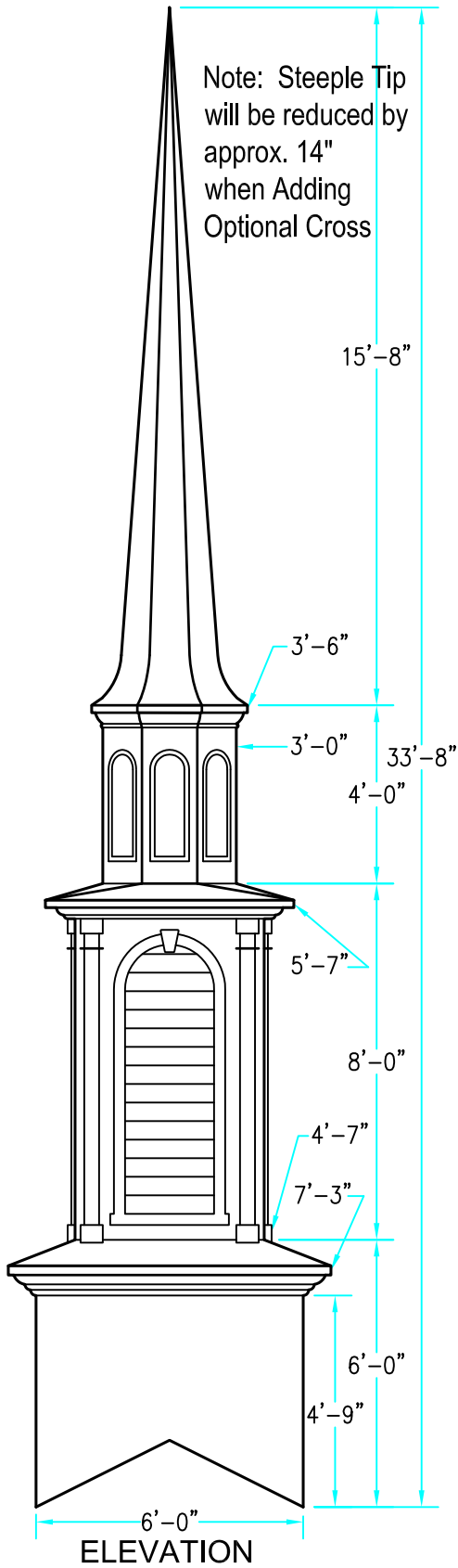
#### Available Options:

- 3' or 4' Aluminum Cross
- 8" Ball
- Lightning Protection
- Round Top Simulated Louvers
- Krinkleglass Windows
- Various accessories available for Spire and Base

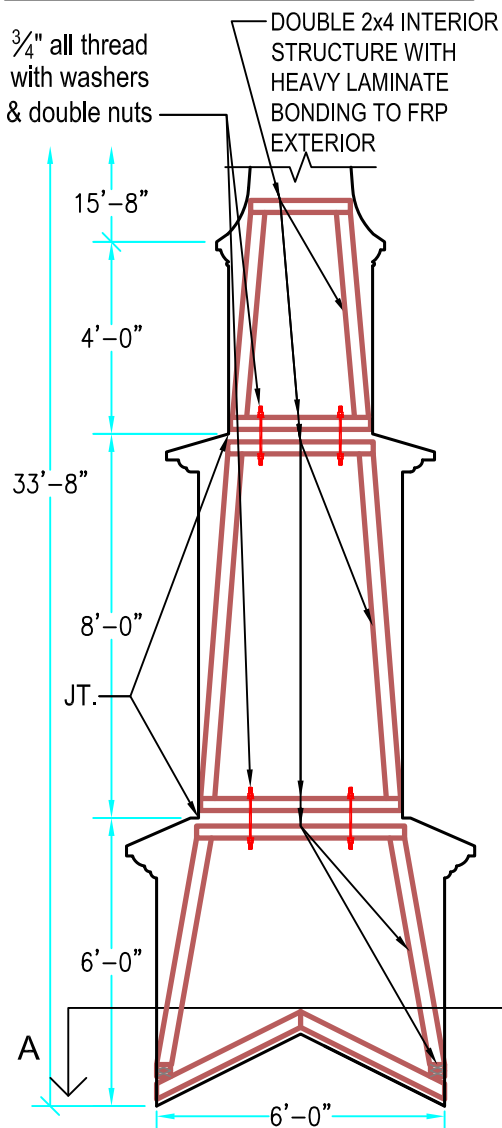
ALL STEEPLES MUST BE MOUNTED ON A COMPLETED WATERPROOF ROOF SYSTEM AS LONG-TERM INSURANCE AGAINST LEAKAGE .



3-D VIEW

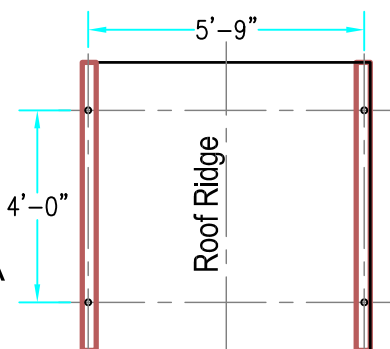


ELEVATION



INTERIOR SUPPORT DETAIL

Scale: 1/4" = 1'-0"



PLAN VIEW A-A

Scale: 1/4" = 1'-0"

Drawings are property of Fiberglass Unlimited, Inc.; Dimensions may change slightly to accommodate manufacturing.

**STEEPLES**

**Model # 460**

**FIBERGLASS UNLIMITED, INC.**

Phone: 1-800-837-6211 Fax: 334-863-7975 Email: info@FiberG.com

183 Industrial Ave.  
 Roanoke, Alabama 36274