

Steeple Data

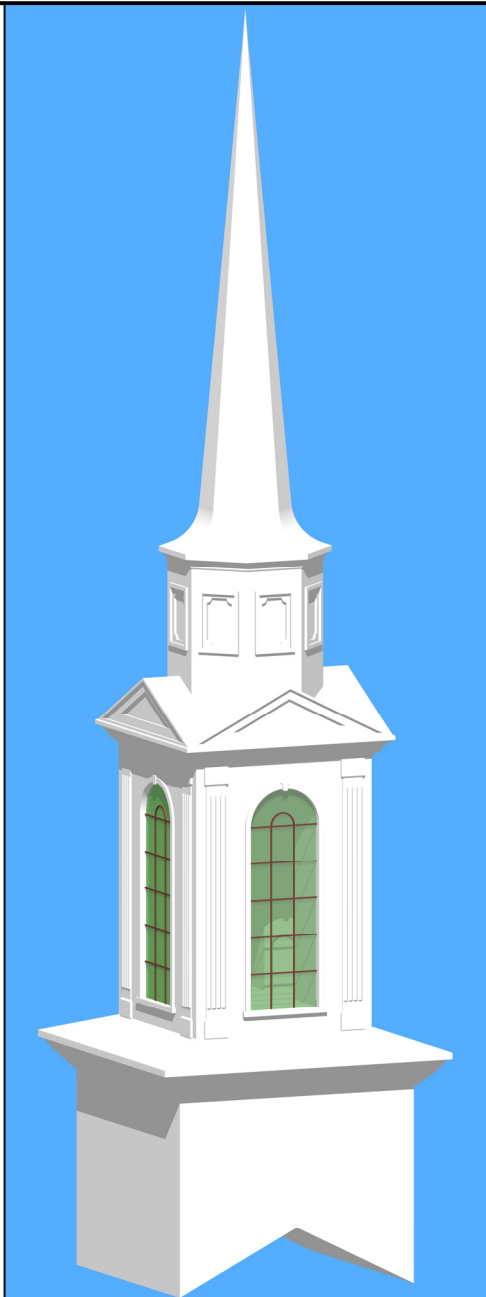
Base Width: 8'-0"
 Steeple Height: 40'-0"
 Weight: 2200 lb.
 Three-piece Steeple unit

Available Options:

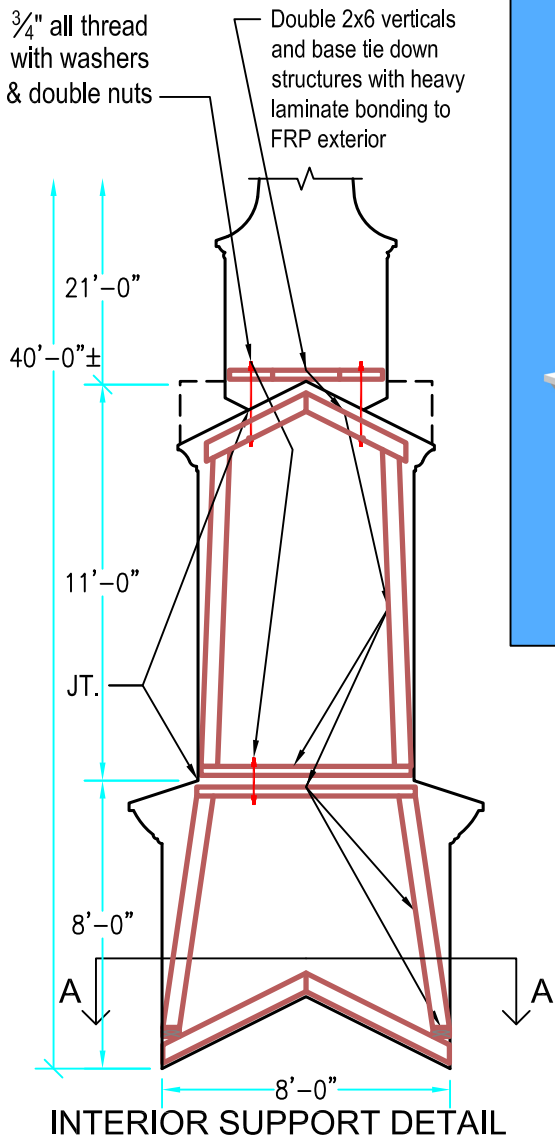
- 3' or 4' Aluminum Cross
- Lightning Protection
- Krinklglas Windows
- Round venting louvers in base

ALL STEEPLES MUST BE MOUNTED ON A COMPLETED WATERPROOF ROOF SYSTEM AS LONG-TERM INSURANCE AGAINST LEAKAGE .

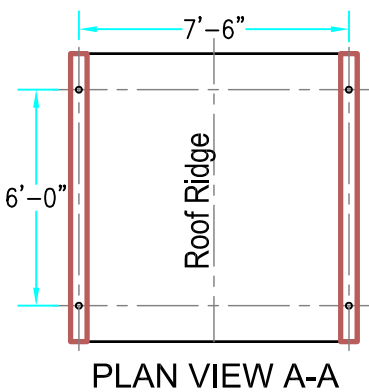
Note: Steeple Tip will be reduced by approx. 14" when Adding Optional Cross



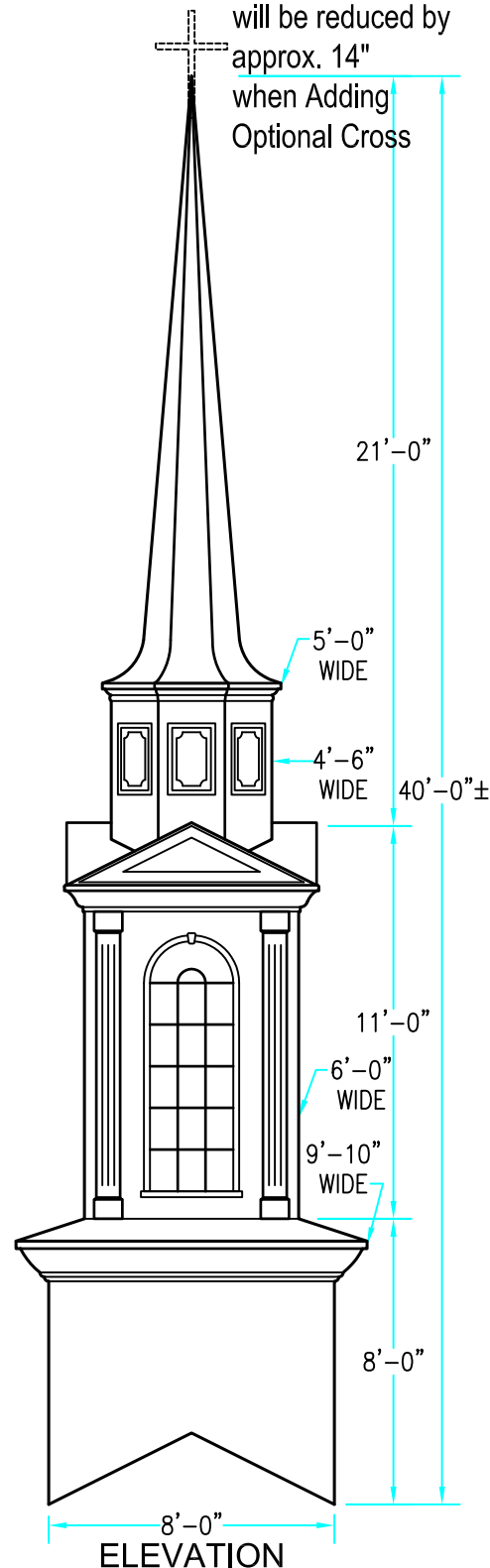
3-D VIEW



Scale: 3/16" = 1'-0"



Scale: 3/16" = 1'-0"



Scale: 3/16" = 1'-0"

Drawings are property of Fiberglass Unlimited, Inc.; Dimensions may change slightly to accommodate manufacturing.

STEEPLES
Model # 600

FIBERGLASS UNLIMITED, INC.

Phone: 1-800-837-6211 Fax: 334-863-7975 Email: info@FiberG.com

183 Industrial Ave.
 Roanoke, Alabama 36274