

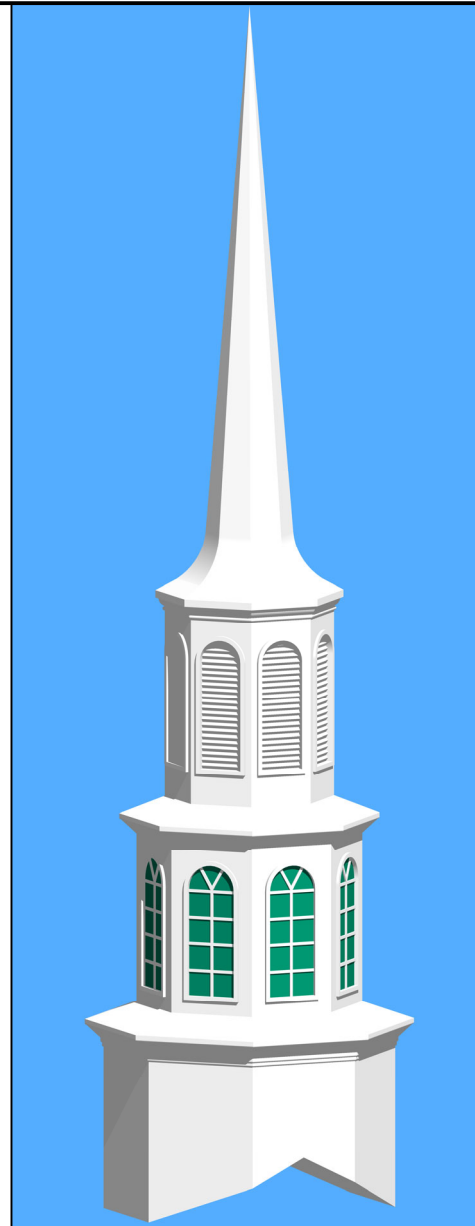
Steeple Data

Base Width: 7'-9"
 Steeple Height: 35'-0"
 Weight: 1650 lb.
 Three-piece Steeple unit

Available Options:

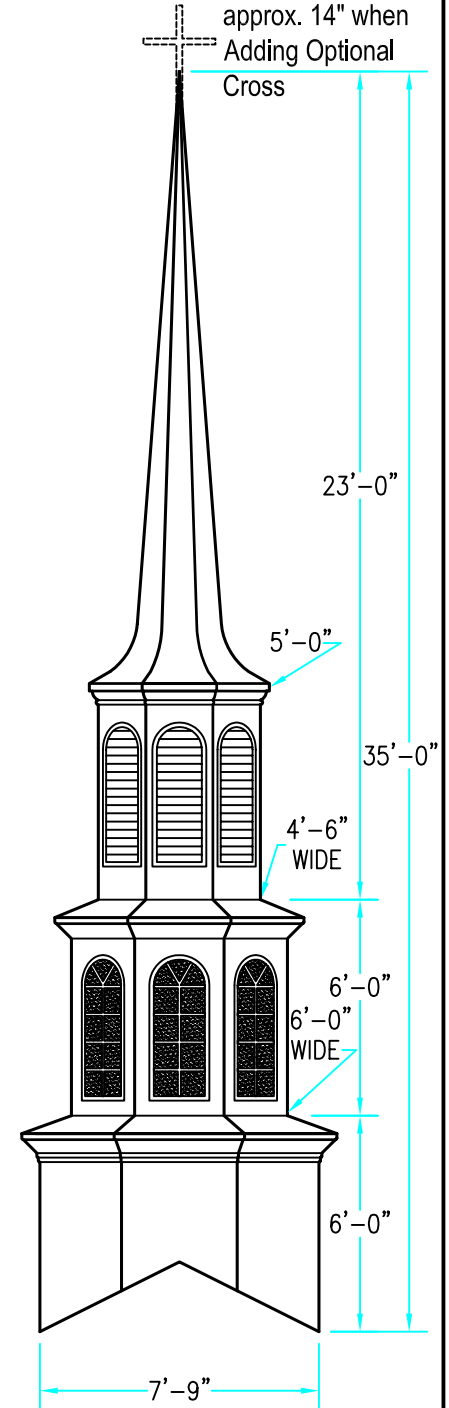
- 3' or 4' Aluminum Cross
- Lightning Protection
- Round Top Simulated Louvers
- Krinklglas Windows
- Round Venting Louvers in Base

ALL STEEPLES MUST BE MOUNTED ON A COMPLETED WATERPROOF ROOF SYSTEM AS LONG-TERM INSURANCE AGAINST LEAKAGE .



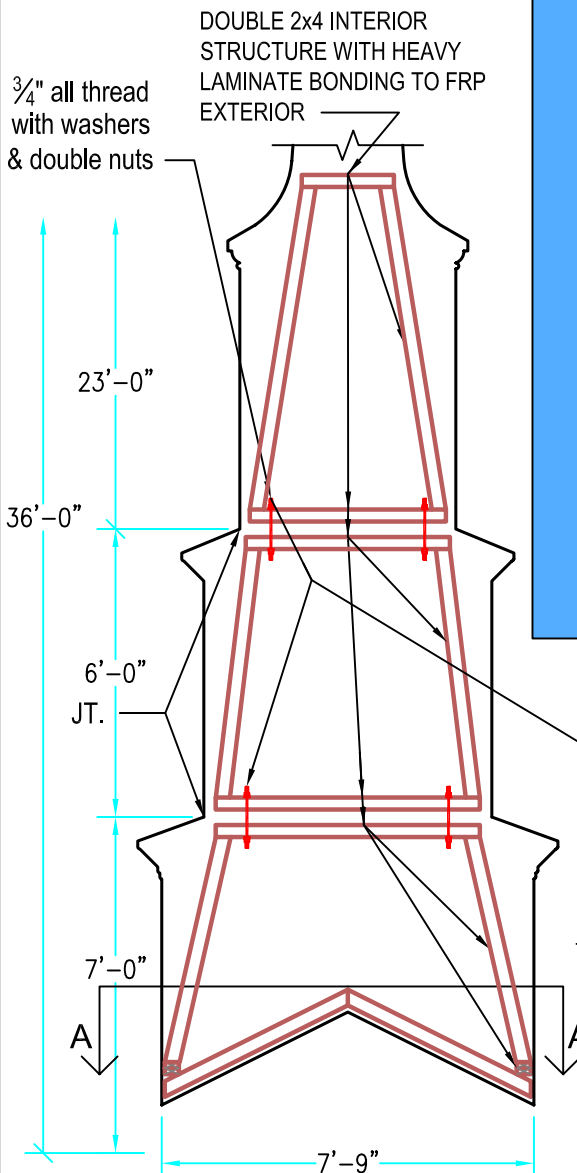
3-D VIEW

Note: Steeple Tip will be reduced by approx. 14" when Adding Optional Cross



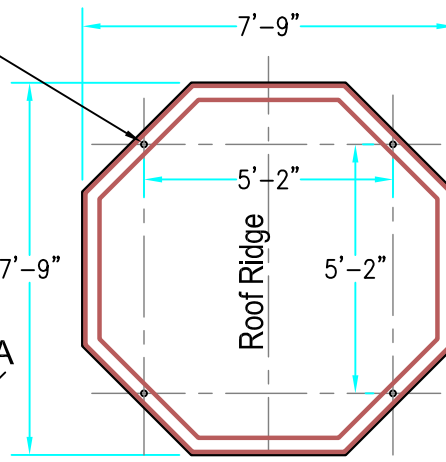
ELEVATION

Scale: $\frac{3}{16}" = 1'-0"$



INTERIOR SUPPORT DETAIL

Scale: $\frac{1}{4}" = 1'-0"$



PLAN VIEW A-A

Scale: $\frac{1}{4}" = 1'-0"$

Drawings are property of Fiberglass Unlimited, Inc.; Dimensions may change slightly to accommodate manufacturing.

STEEPLES

Model # 628

FIBERGLASS UNLIMITED, INC.

Phone: 1-800-837-6211 Fax: 334-863-7975 Email: info@FiberG.com

183 Industrial Ave.
 Roanoke, Alabama 36274