

Steeple Data

Base Width: 8'-0"
 Steeple Height: 36'-0"
 Weight: 1750 lb.
 Three-piece Steeple unit

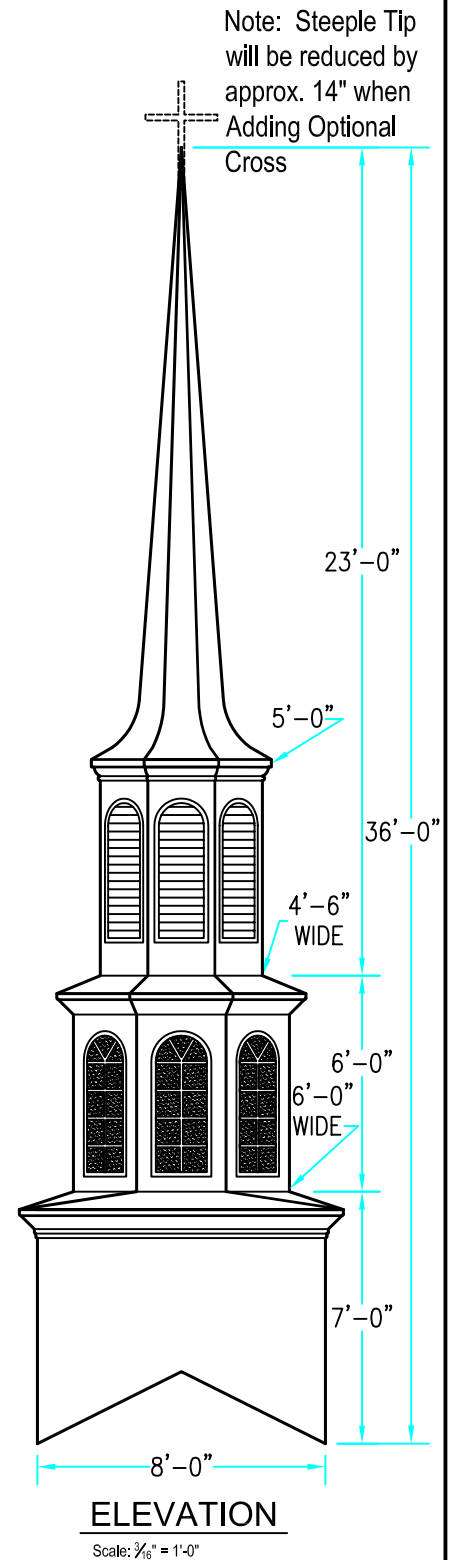
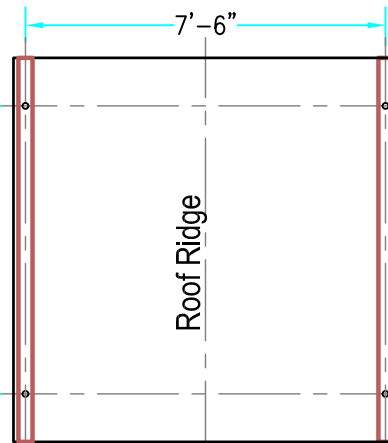
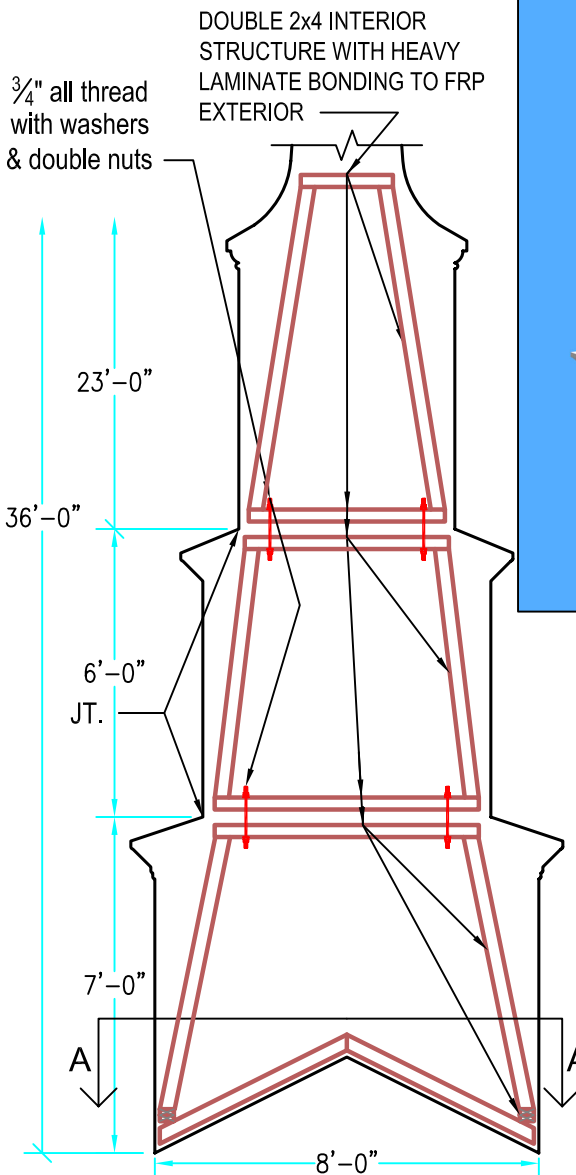
Available Options:

- 3' or 4' Aluminum Cross
- Lightning Protection
- Round Top Simulated Louvers
- Krinklglas Windows
- Round Venting Louvers in Base

ALL STEEPLES MUST BE MOUNTED ON A COMPLETED WATERPROOF ROOF SYSTEM AS LONG-TERM INSURANCE AGAINST LEAKAGE .



3-D VIEW



Drawings are property of Fiberglass Unlimited, Inc.; Dimensions may change slightly to accommodate manufacturing.

STEEPLES
Model # 640

FIBERGLASS UNLIMITED, INC.

Phone: 1-800-837-6211 Fax: 334-863-7975 Email: info@FiberG.com

183 Industrial Ave.
 Roanoke, Alabama 36274