

Steeple Data

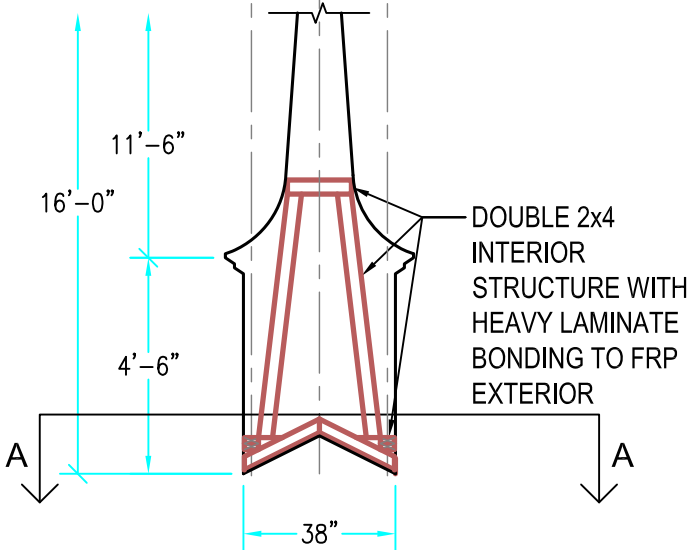
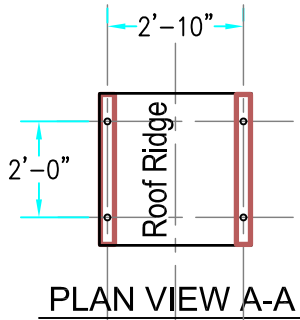
Base Width: 38"
 Steeple Height: 16'-0"
 Weight: 250 lb.
 One Piece Steeple unit

Available Options:

- 3' Aluminum Cross
- Lightning Protection
- Round Louver
- Prayer Hand - 3 sides

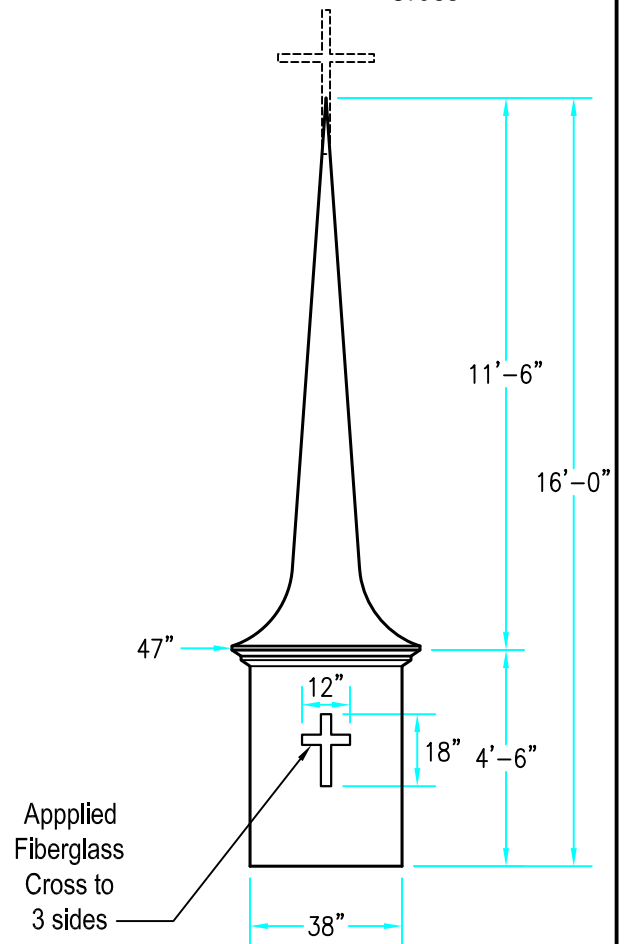
ALL STEEPLES MUST BE MOUNTED ON A COMPLETED WATERPROOF ROOF OR TOWER PLATFORM AS LONG-TERM INSURANCE AGAINST LEAKAGE .

Note: Steeple Tip will be reduced by approx. 14" when Adding Optional Cross



INTERIOR SUPPORT DETAIL

Scale: 1/4" = 1'-0"



ELEVATION

Scale: 1/4" = 1'-0"

Drawings are property of Fiberglass Unlimited, Inc.; Dimensions may change slightly to accommodate manufacturing.

STEEPLES
Model # 210

FIBERGLASS UNLIMITED, INC.

Phone: 1-800-837-6211 Fax: 334-863-7975 Email: info@FiberG.com

183 Industrial Ave.
 P.O. Box 429
 Roanoke, Alabama 36274