

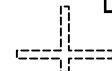
**Steeple Data**

Base Width: 5'-0"  
 Steeple Height: 28'-0"  
 Weight: 450 lb.

**Available Options:**

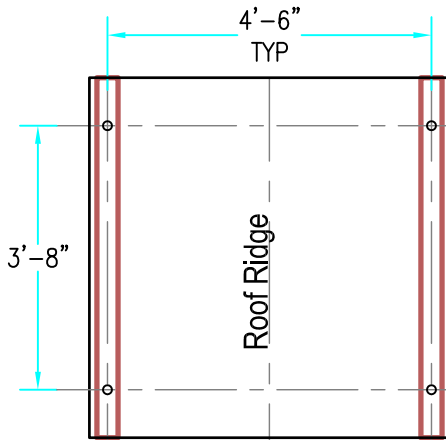
- 3' or 4' Aluminum Cross
- 8" Ball
- Lightning Protection

ALL STEEPLES MUST BE MOUNTED ON A COMPLETED WATERPROOF ROOF SYSTEM AS LONG-TERM INSURANCE AGAINST LEAKAGE .

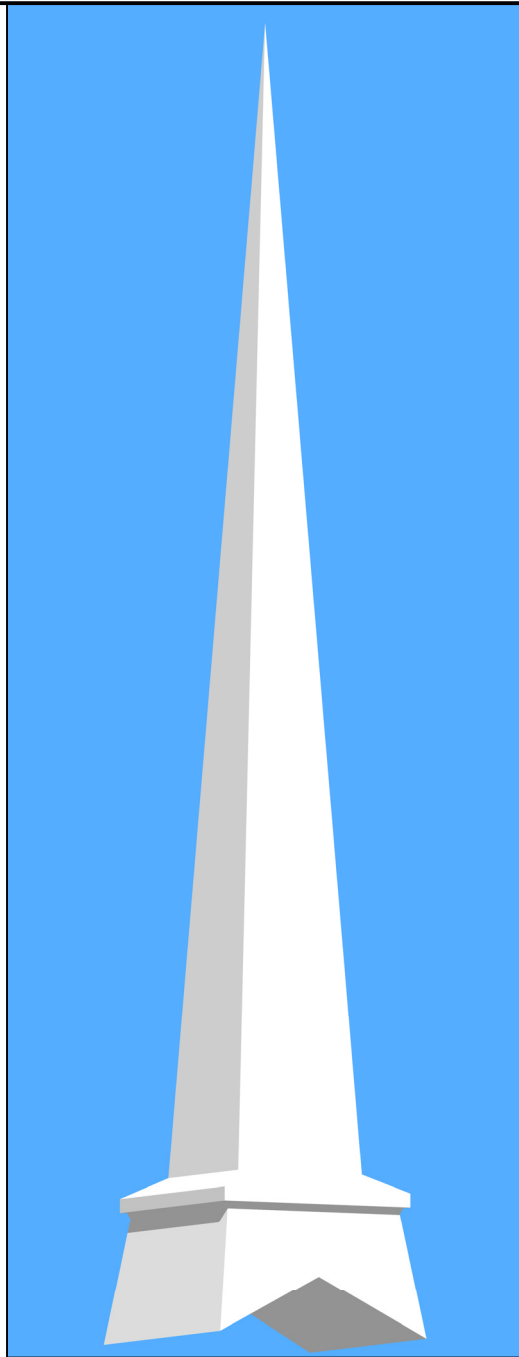


Note: Steeple Tip will be reduced by approx. 14" when Adding Optional Cross

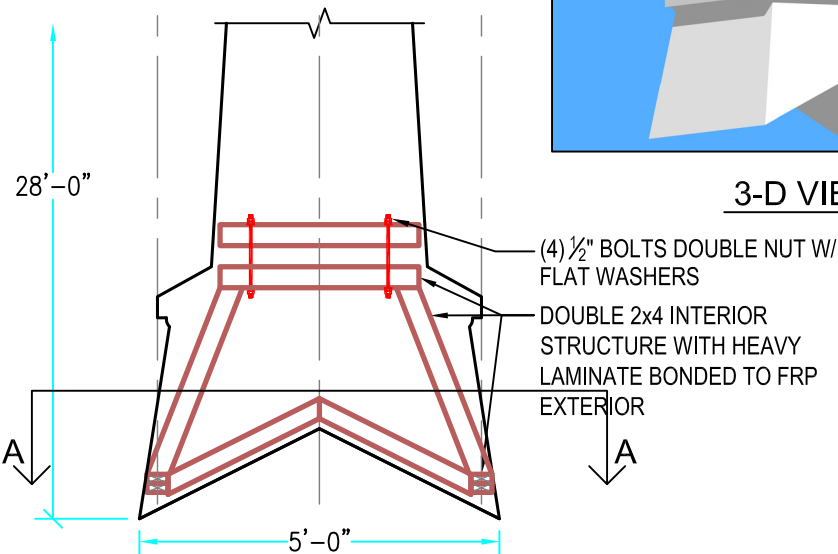
28'-0"



**PLAN VIEW A-A**

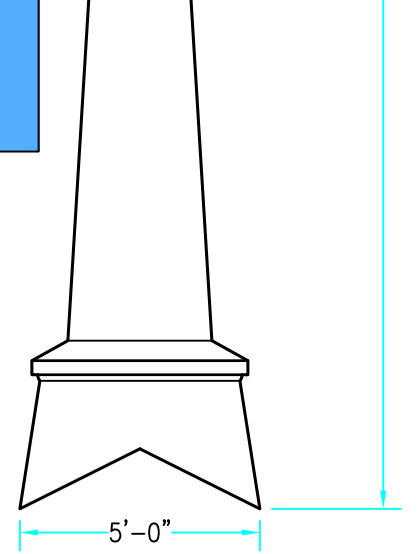


**3-D VIEW**



**INTERIOR SUPPORT DETAIL**

Scale: 3/8" = 1'-0"



**ELEVATION**

Scale: 1/4" = 1'-0"

Drawings are property of Fiberglass Unlimited, Inc.; Dimensions may change slightly to accommodate manufacturing.

**STEEPLES**

**Model # 290**

**FIBERGLASS UNLIMITED, INC.**

Phone: 1-800-837-6211 | Fax: 334-863-7975 | Email: info@FiberG.com

183 Industrial Ave.  
 Roanoke, Alabama 36274