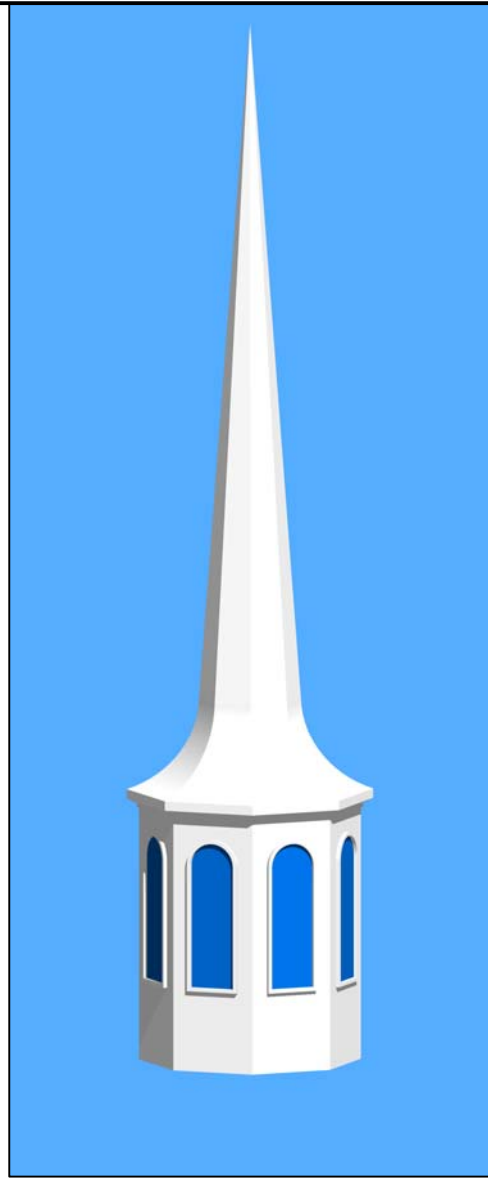


Steeple Data

Base Width: 4'-6"
 Steeple Height: 23'
 Weight: 400 lb.
 One piece Steeple unit

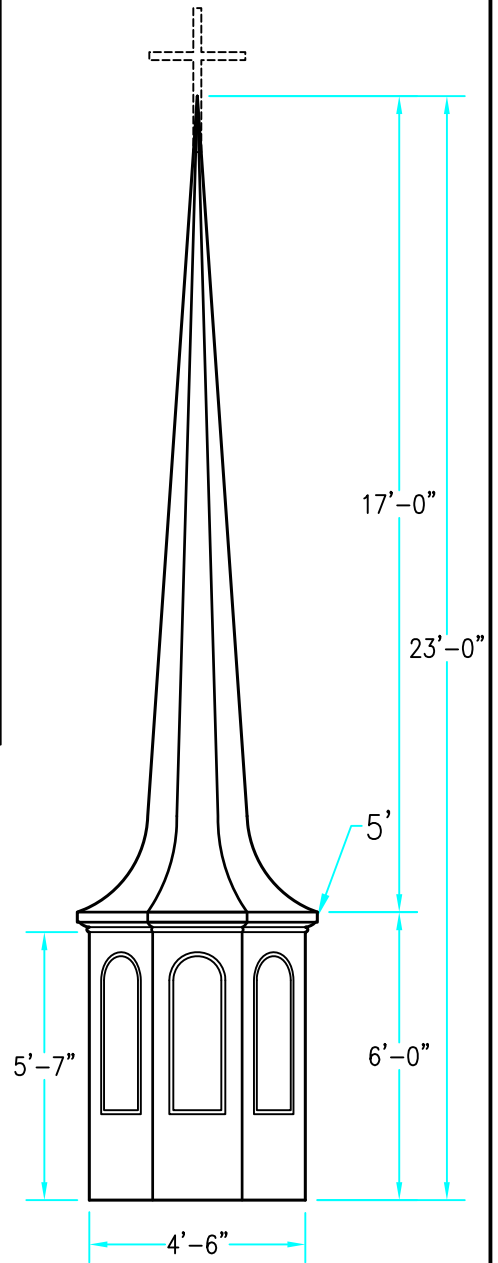
Available Options:

- 3' or 4' Aluminum Cross
- Lightning Protection
- Simulated Louvers
- Kringleglass Windows



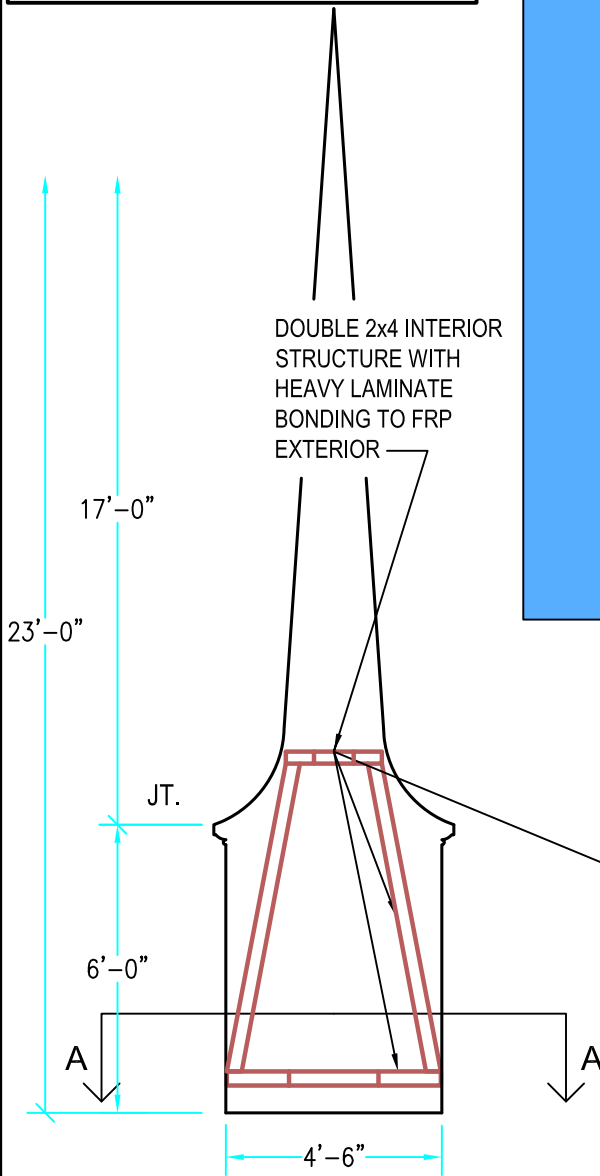
3-D VIEW

Note: Steeple Tip will be reduced by approx. 14" when Adding Optional Cross



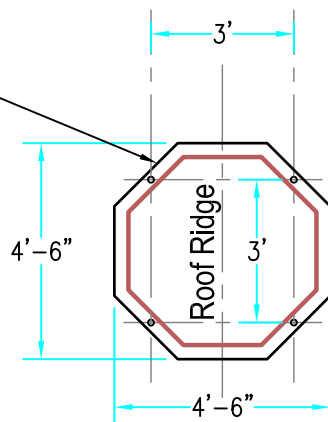
ELEVATION

Scale: 1/4" = 1'-0"



INTERIOR SUPPORT DETAIL

Scale: 1/4" = 1'-0"



PLAN VIEW A-A

Scale: 1/4" = 1'-0"

Drawings are property of Fiberglass Unlimited, Inc.; Dimensions may change slightly to accommodate manufacturing.

STEEPLES
Model # 320

FIBERGLASS UNLIMITED, INC.

Phone: 1-800-837-6211 | Fax: 334-863-7975 | Email: info@FiberG.com

183 Industrial Ave.
 Roanoke, Alabama 36274