

Steeple Data

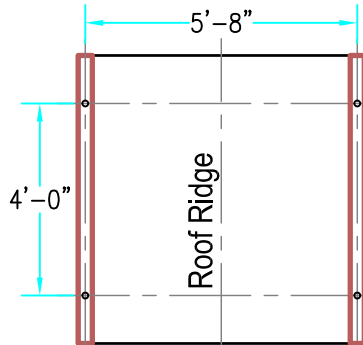
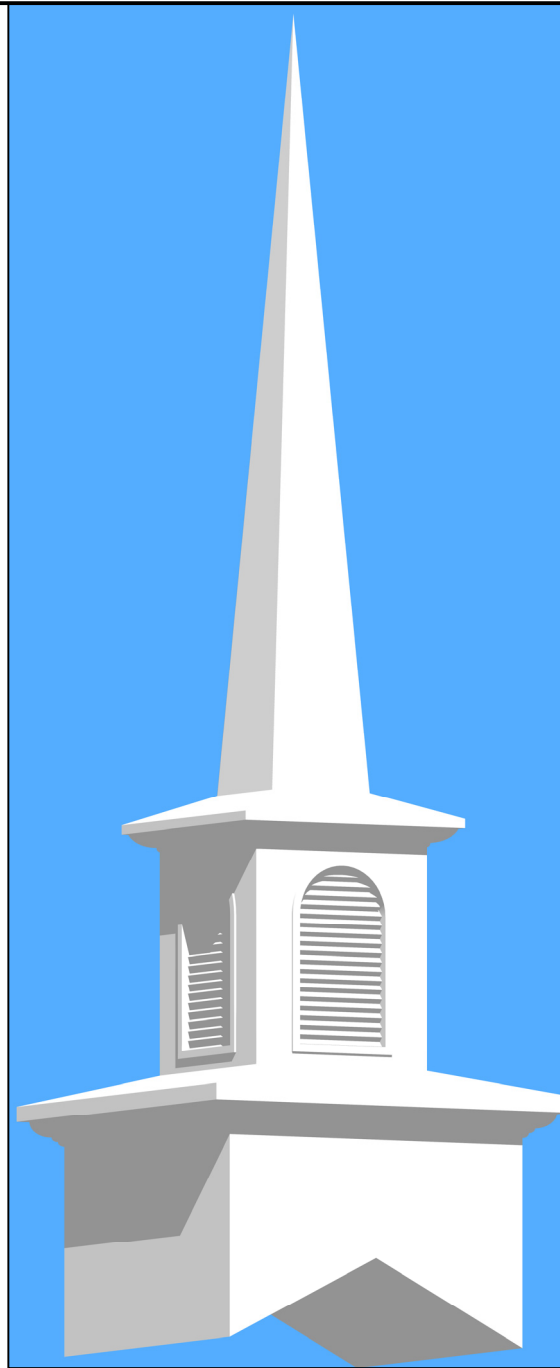
Base Width: 6'-0"
 Steeple Height: 24'-0"
 Weight: 750 lb.
 Two-piece Steeple unit

Available Options:

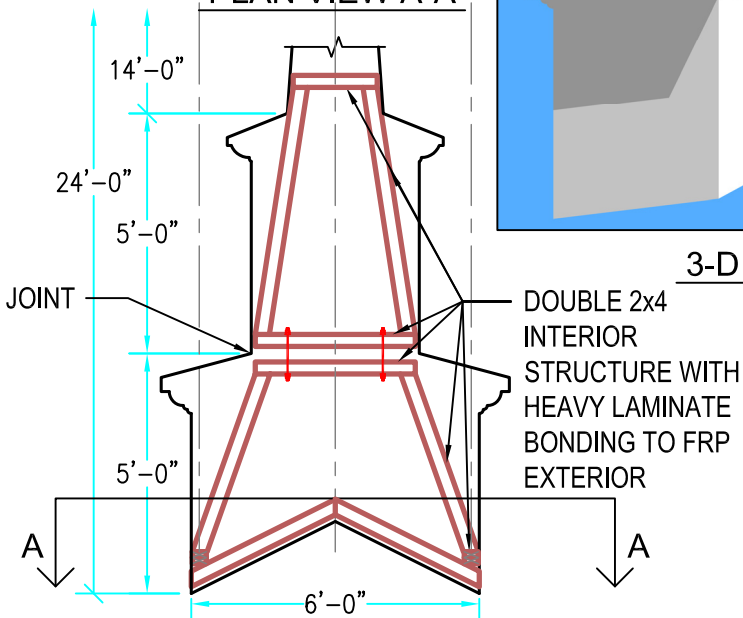
- 3' or 4' Aluminum Cross
- 8" Ball
- Rect. or Round top: Simulated Louvers, Venting Louvers or "K" glass Windows
- Lightning Protection
- Round Louvers In Base

ALL STEEPLES MUST BE MOUNTED ON A COMPLETED WATERPROOF ROOF SYSTEM AS LONG-TERM INSURANCE AGAINST LEAKAGE .

Note: Steeple Tip will be reduced by approx. 14" when Adding Optional Cross



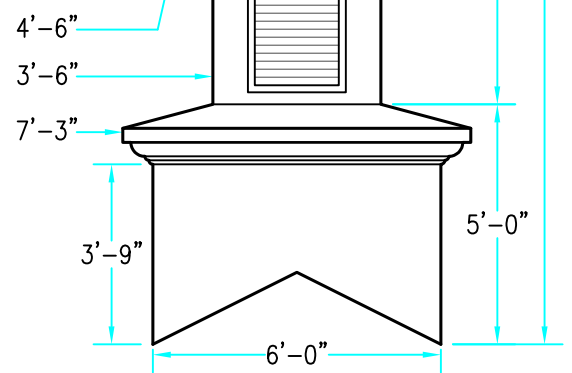
PLAN VIEW A-A



INTERIOR SUPPORT DETAIL

Scale: 1/4" = 1'-0"

3-D VIEW



ELEVATION

Scale: 1/4" = 1'-0"

Drawings are property of Fiberglass Unlimited, Inc.; Dimensions may change slightly to accommodate manufacturing.

STEEPLES

Model # 340

FIBERGLASS UNLIMITED, INC.

Phone: 1-800-837-6211 Fax: 334-863-7975 Email: info@FiberG.com

183 Industrial Ave.
 Roanoke, Alabama 36274