

### Steeple Data

Base Width: 8'-0"  
 Steeple Height: 48'-0"  
 Weight: 2300 lb.  
 Three-piece Steeple unit

#### Available Options:

- 3' or 4' Aluminum Cross
- Lightning Protection
- Krinklglas Windows
- Round venting louvers in base

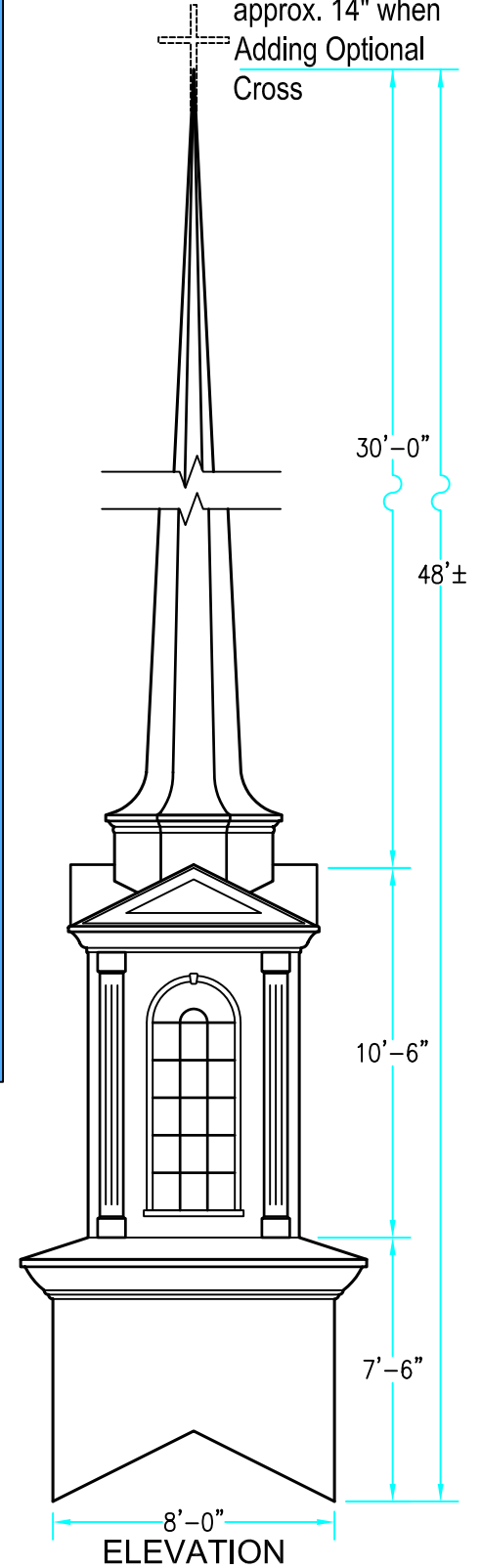
ALL STEEPLES MUST BE MOUNTED ON A COMPLETED WATERPROOF ROOF SYSTEM AS LONG-TERM INSURANCE AGAINST LEAKAGE .

Note: Steeple Tip will be reduced by approx. 14" when Adding Optional Cross



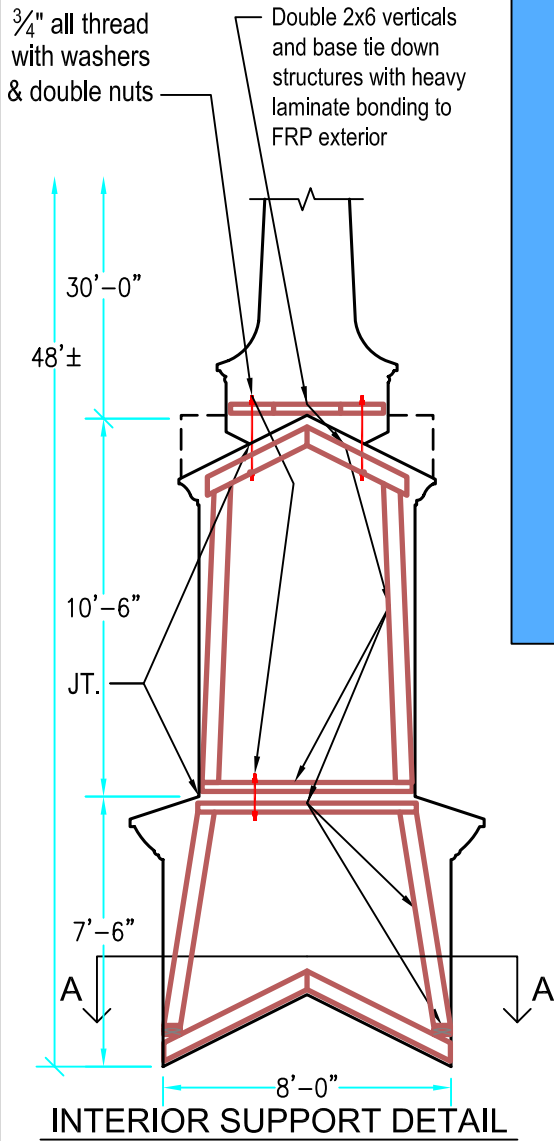
**3-D VIEW**

N.T.S.



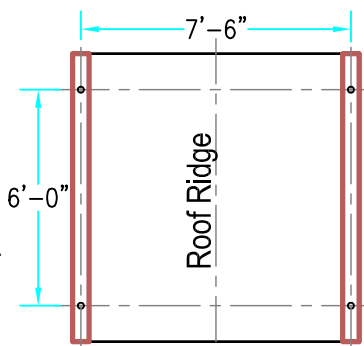
**ELEVATION**

Scale: 3/16" = 1'-0"



**INTERIOR SUPPORT DETAIL**

Scale: 3/16" = 1'-0"



**PLAN VIEW A-A**

Scale: 3/16" = 1'-0"

Drawings are property of Fiberglass Unlimited, Inc.; Dimensions may change slightly to accommodate manufacturing.

**STEEPLES**

**Model # 615**

**FIBERGLASS UNLIMITED, INC.**

Phone: 1-800-837-6211 Fax: 334-863-7975 Email: info@FiberG.com

183 Industrial Ave.  
 Roanoke, Alabama 36274