

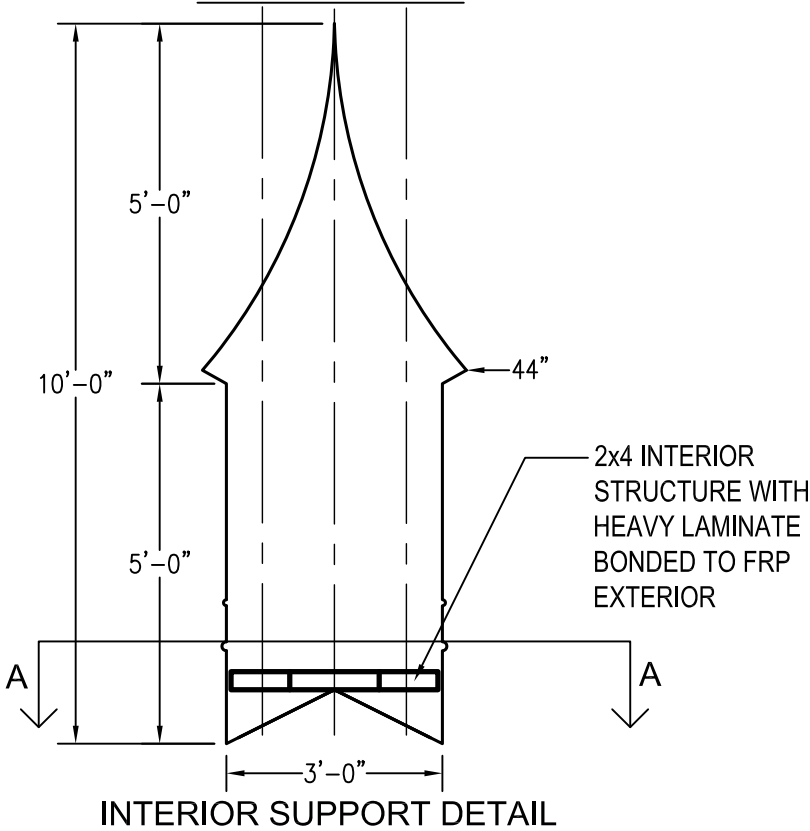
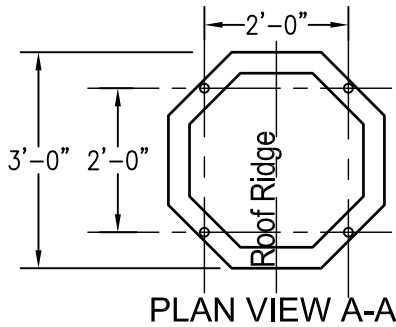
Cupola Data

Base Width: 36"  
 Cupola Height: 10'  
 Weight: 155 lb.  
 One Piece Unit

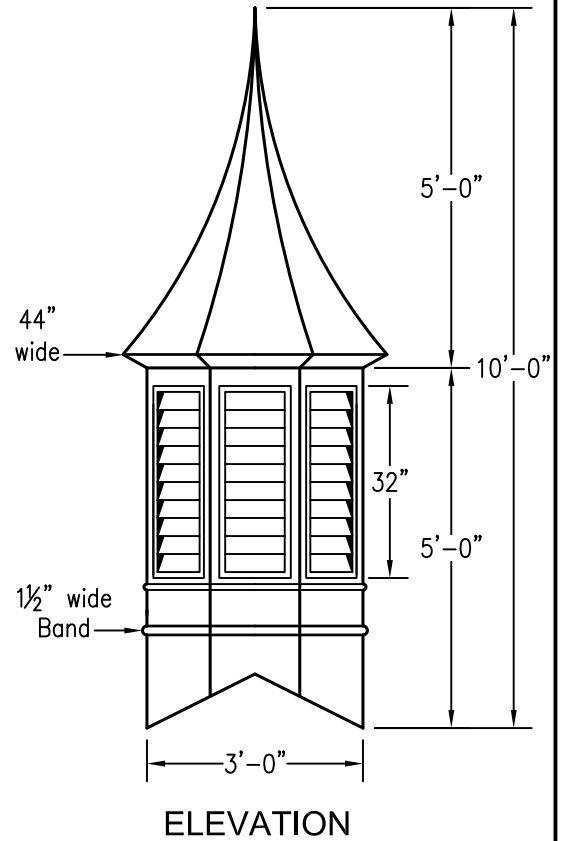
Available Options:

- 24" Weather Vane
- Krinkleglass Windows

ALL STEEPLES MUST BE MOUNTED ON A COMPLETED WATERPROOF ROOF SYSTEM AS LONG-TERM INSURANCE AGAINST LEAKAGE .



Scale: 3/8" = 1'-0"



Scale: 3/8" = 1'-0"

Drawings are property of Fiberglass Unlimited, Inc.; Dimensions may change slightly to accommodate manufacturing.

**STEEPLES**  
**Model # C118**

**FIBERGLASS UNLIMITED, INC.**  
 Phone: 1-800-837-6211 Fax: 334-863-7975 Email: info@FiberG.com

183 Industrial Ave.  
 Roanoke, Alabama 36274