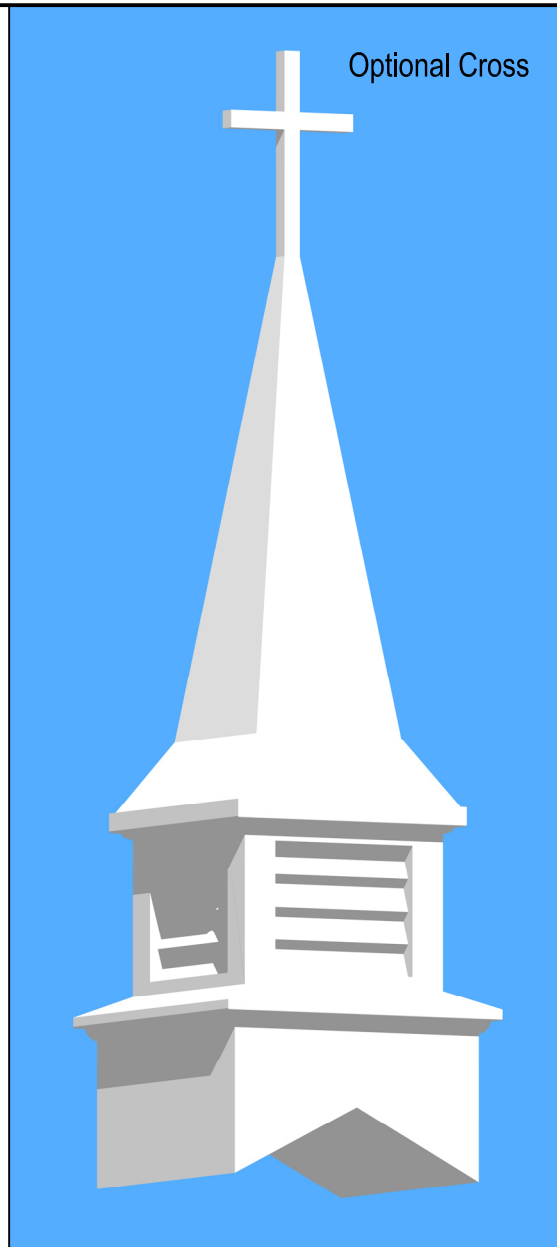


Steeple Data

Base Width: 2'-8"
 Steeple Height: 9'-5"
 Weight: 150 lb.
 One Piece Steeple unit

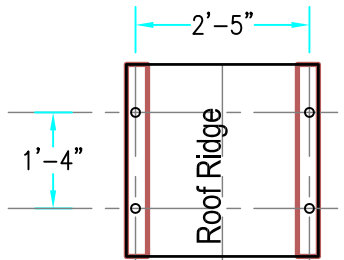
Available Options:

- 2' or 3' Aluminum Cross
- Lightning Protection



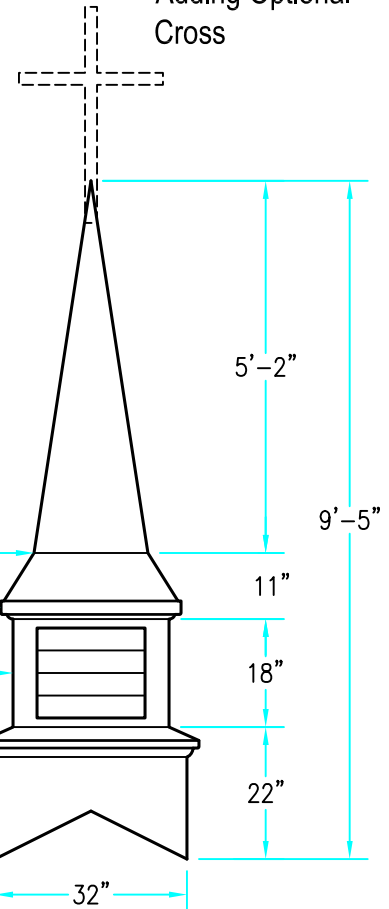
Optional Cross

ALL STEEPLES MUST BE MOUNTED ON A COMPLETED WATERPROOF ROOF SYSTEM AS LONG-TERM INSURANCE AGAINST LEAKAGE .

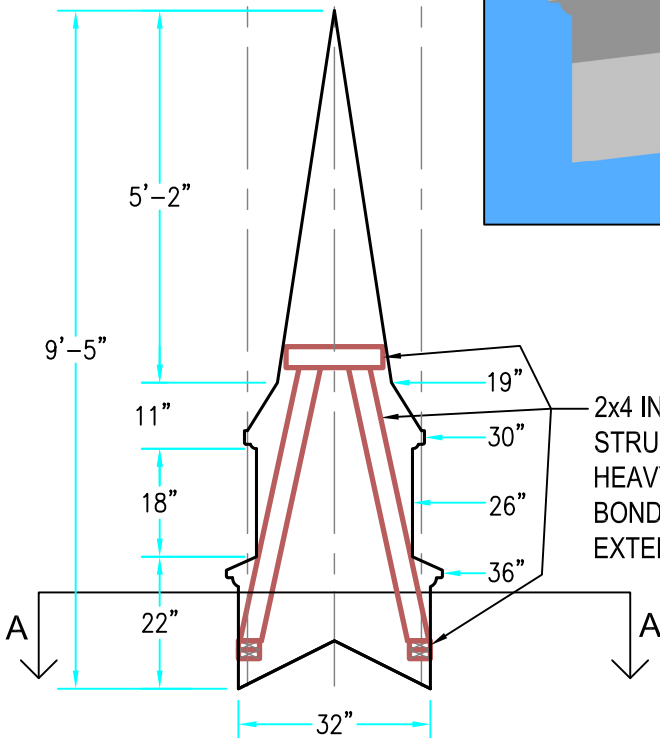


PLAN VIEW A-A

Note: Steeple Tip will be reduced by approx. 14" when Adding Optional Cross



ELEVATION



INTERIOR SUPPORT DETAIL

2x4 INTERIOR STRUCTURE WITH HEAVY LAMINATE BONDED TO FRP EXTERIOR

Scale: 3/8" = 1'-0"

Scale: 3/8" = 1'-0"

Drawings are property of Fiberglass Unlimited, Inc.; Dimensions may change slightly to accommodate manufacturing.

STEEPLES
 Model # C110

FIBERGLASS UNLIMITED, INC.

Phone: 1-800-837-6211 Fax: 334-863-7975 Email: info@FiberG.com

183 Industrial Ave.
 Roanoke, Alabama 36274