

Steeple Data

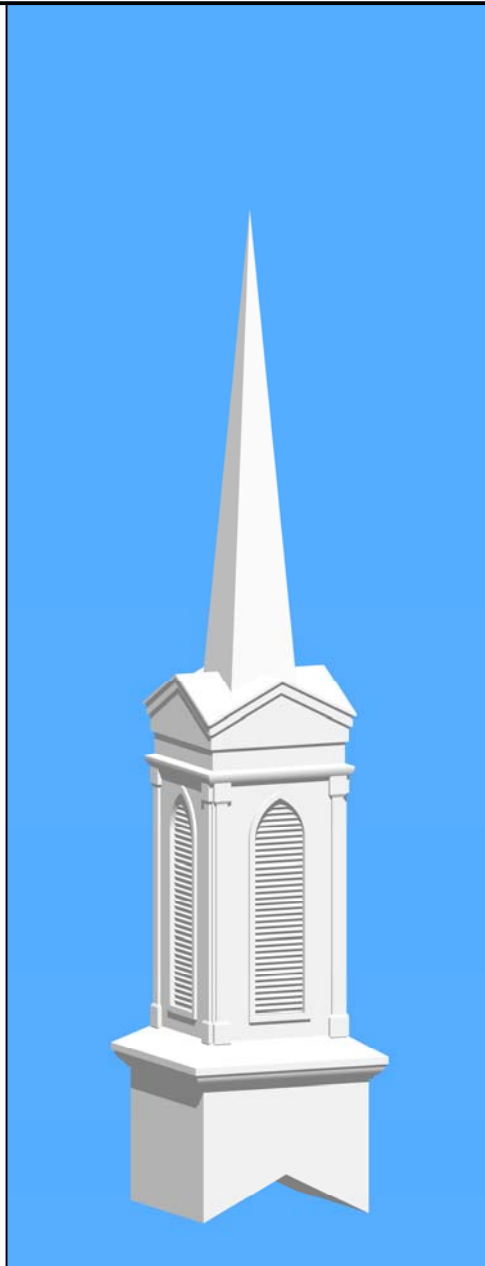
Base Width: 5'-0"
 Steeple Height: 28'-0"
 Weight: 1100 lb.
 Three-piece Steeple unit

Available Options:

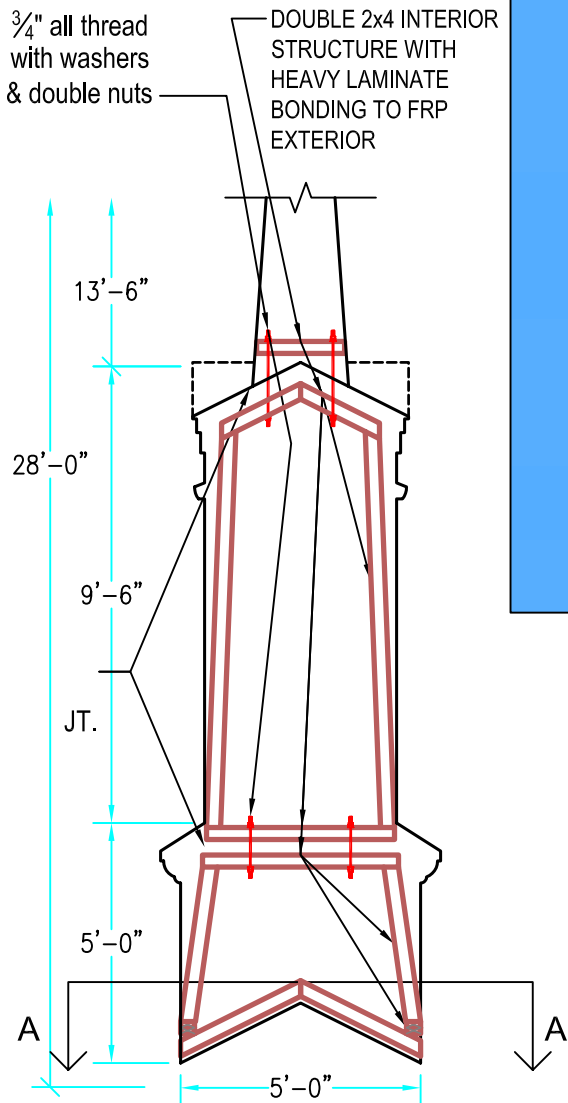
- 3' or 4' Aluminum Cross
- 8" Ball
- Gothic Simulated Louvers
- Gothic Krinklglas Windows
- Lightning Protection

ALL STEEPLES MUST BE MOUNTED ON A COMPLETED WATERPROOF ROOF SYSTEM AS LONG-TERM INSURANCE AGAINST LEAKAGE .

Note: Steeple Tip will be reduced by approx. 14" when Adding Optional Cross

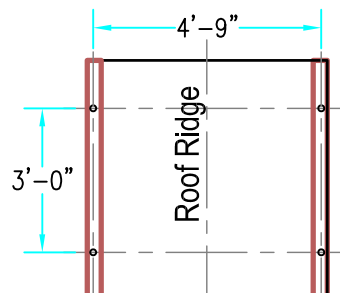


3-D VIEW



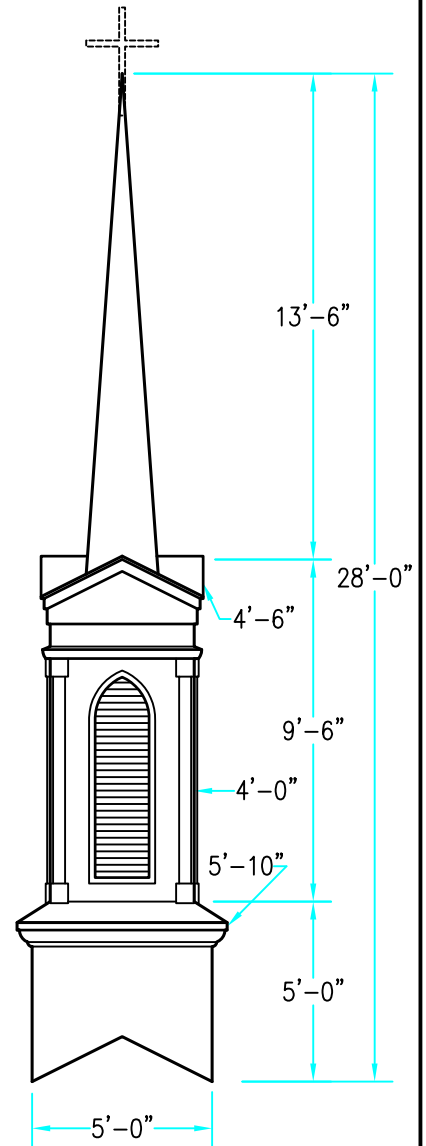
INTERIOR SUPPORT DETAIL

Scale: $\frac{1}{4}$ " = 1'-0"



PLAN VIEW A-A

Scale: $\frac{1}{4}$ " = 1'-0"



ELEVATION

Scale: $\frac{3}{16}$ " = 1'-0"

Drawings are property of Fiberglass Unlimited, Inc.; Dimensions may change slightly to accommodate manufacturing.

STEEPLES

Model # 364

FIBERGLASS UNLIMITED, INC.

Phone: 1-800-837-6211 Fax: 334-863-7975 Email: info@FiberG.com

183 Industrial Ave.
 Roanoke, Alabama 36274